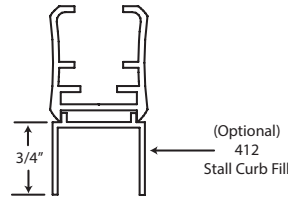
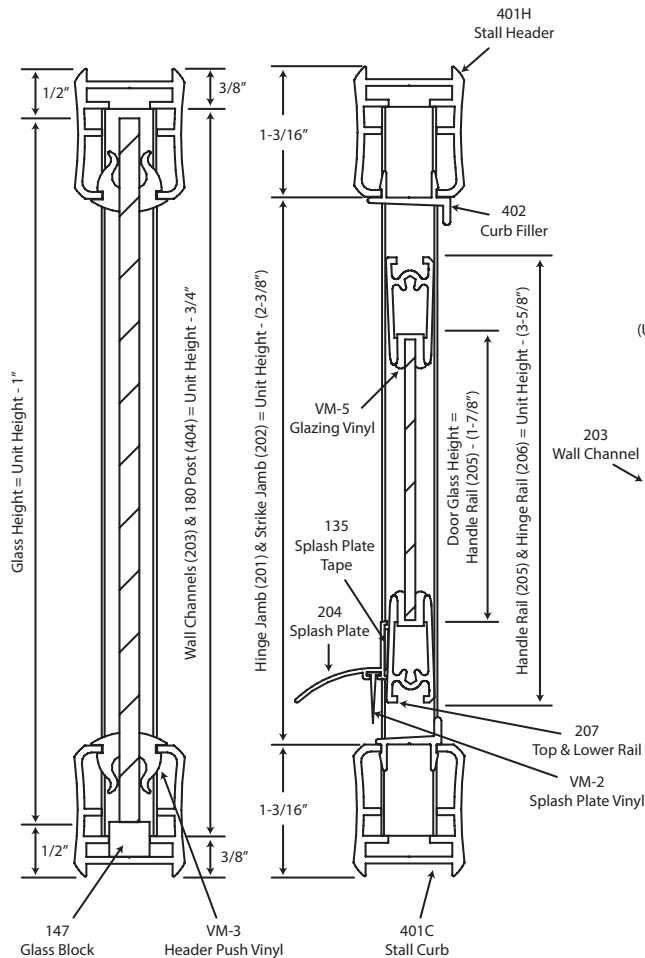
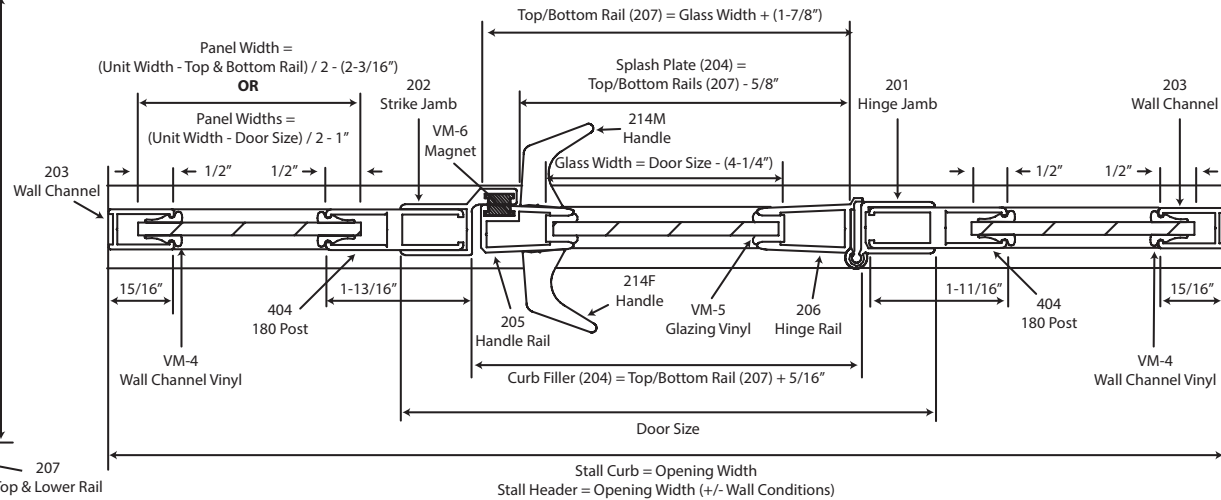


VERTICAL CROSS SECTION



NOTES:

1. Glass bite and overlap of vertical members maybe altered to facilitate the use of standard glass sizes or for out of plumb wall conditions.
2. KD door components machined for a maximum glass size of 29 3/4" wide by 63 1/2" and 66 1/2" high. Other sizes may be substituted.



HORIZONTAL CROSS SECTION

NOTE: Glazing material for all KD units and glazed units must conform to Anzi Z97.1 and CPSC Standard 16 CFC 1201 Category I and II.

SERIES

PREMIER

**1250/1275
Panel / Door / Panel**

For Different Sizes of Unit Heights and Unit Widths
See Price Book

Splendor

QUALITY GLASS PRODUCTS
1133 S. McCord Road
Holland, Ohio 43628
Phone: (419) 866.5667