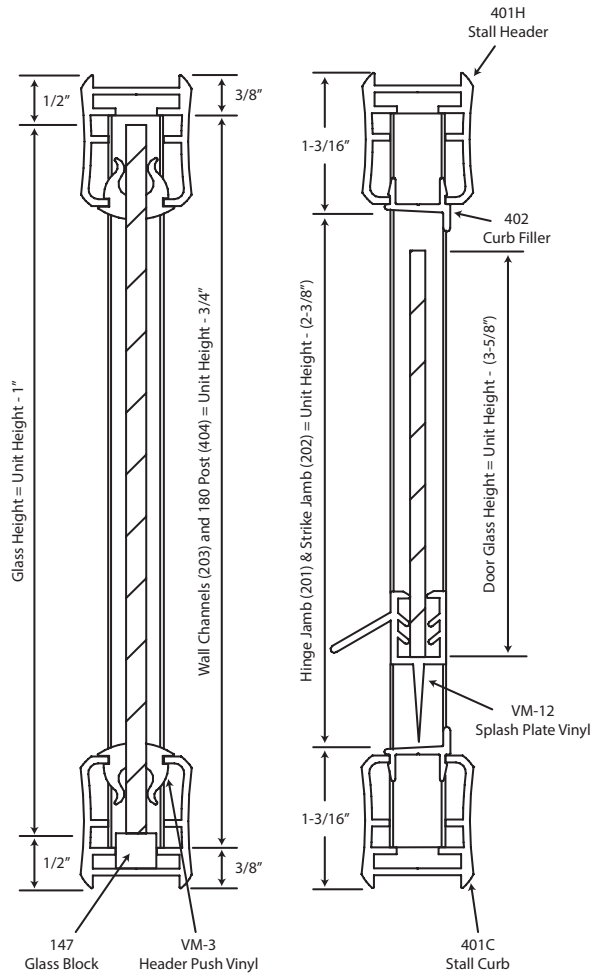


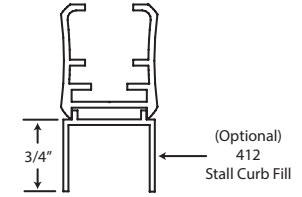
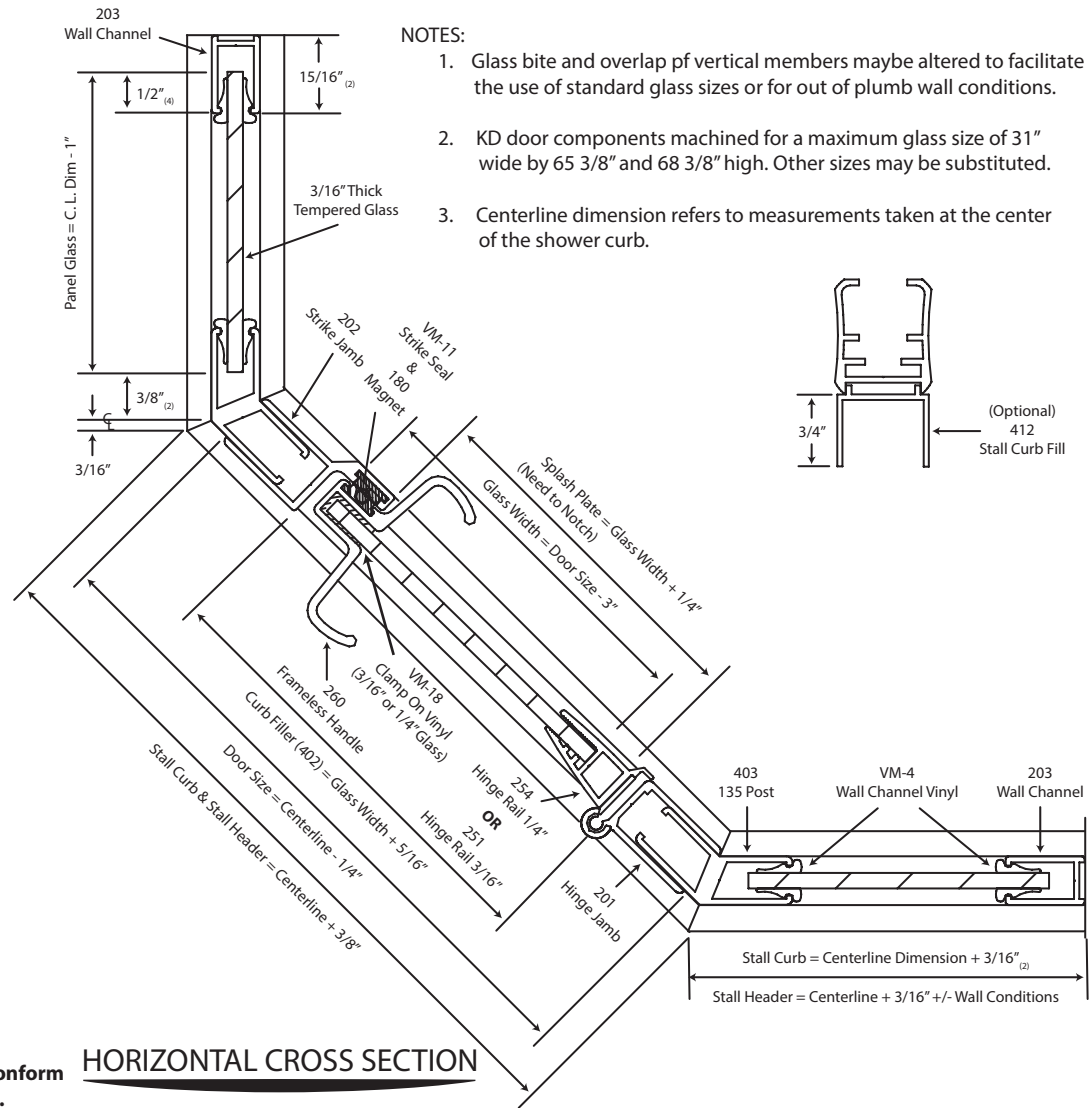
VERTICAL CROSS SECTION



NOTE: Glazing material for all KD units and glazed units must conform to Anzi Z97.1 and CPSC Standard 16 CFC 1201 Category I and II.

NOTES:

1. Glass bite and overlap of vertical members maybe altered to facilitate the use of standard glass sizes or for out of plumb wall conditions.
2. KD door components machined for a maximum glass size of 31" wide by 65 3/8" and 68 3/8" high. Other sizes may be substituted.
3. Centerline dimension refers to measurements taken at the center of the shower curb.



HORIZONTAL CROSS SECTION

SERIES

**2800/2820/2850
Neo-Angle**

CRYSTAL

For Different Sizes of Unit Heights and Unit Widths
See Price Book

Splendor

QUALITY GLASS PRODUCTS

1133 S. McCord Road
Holland, Ohio 43628
Phone: (419) 866.5667