

# INSTALLATION INSTRUCTIONS

---

SHOWER DOORS & TUB DOORS

MODELS: MAD60

---

# PREPARATION

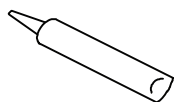
1. WE STRONGLY RECOMMEND THAT A LICENSED AND INSURED PROFESSIONAL CONTRACTOR TO INSTALL THIS PRODUCT INCLUDING THE ASSISTANCE OF A SECOND PERSON DURING INSTALLATION.
2. After opening all boxes and packages, read this introduction carefully. Check that all of the needed parts are included in the package by marking all the components on the "Detailed Diagram of Shower Door Components". Examine boxes and packages for shipping damage. If the unit has been damaged, has a finishing defect, or is missing parts, please contact our customer support department to be served immediately. Please note that Splendor Shower Door will not replace any damaged products or missing parts free of charge after 5 business days or if the product has been installed. Feel free to contact Splendor Shower Door if you have any questions.  
**VERY IMPORTANT:** Please double check the glass corner and four edges of the glass doors to make sure the glass is in perfect condition and without any breakage. Please do not try to install the shower door if there is breakage to the glass corner.
3. Please note that you should consult your local building codes with questions on installation compliance standards. Building and plumbing codes may vary by location, and Splendor Shower Door is not responsible for code compliance standards for your project and will not accept any returns.
4. Prior to installation, ensure that the installation surface is leveled and solid and will be able to support the total weight of the unit. Also, make sure the walls are at the right angles. Irregular installation surface level or improper angle of side walls will result in serious problems during installation. Please, note that some adjustments and drilling might be necessary during the installation process.
5. **NOTE!** This door does not have out-of-plumb adjustment. Make sure your walls are at right angles.
6. This door requires a minimum 2-1/2" wide threshold, base or installation space. Please note that Step 6 calls for installation of the door to the wall using anchors. However, the manufacturer strongly recommends installing these heavy doors to the studs or to preinstalled 2" x 4" wood reinforcements behind the wall and attach the Wall brackets to it.

**ATTENTION: THIS DOOR IS EXTREMELY HEAVY AND REQUIRES PROFESSIONAL INSTALLATION. INSTRUCTIONS ARE GIVEN FOR THE SHOWER DOOR INSTALLATION. PLEASE, FOLLOW THE SAME INSTRUCTIONS TO INSTALL THE TUB DOOR IF IGNORED, COULD RESULT IN DEATH OR SERIOUS PERSONAL INJURY CAUSED BY INCORRECT HANDLING OR INSTALLATION OF THE PRODUCT. THESE INSTRUCTIONS MUST BE OBSERVED FOR SAFE INSTALLATION.**

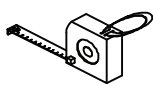
## TOOLS REQUIRED



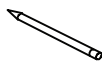
Soft Cloth  
or Blanket



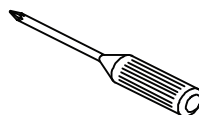
Caulk



Tape  
Measure



Pencil



Phillips  
Screwdriver



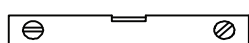
Drill Bit  
(Ø=5/16")



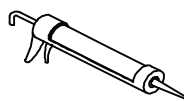
Drill Bit  
(Ø=3/8")



Safety Glass



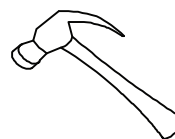
Level



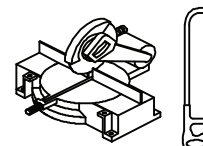
Caulk Gun



Drill

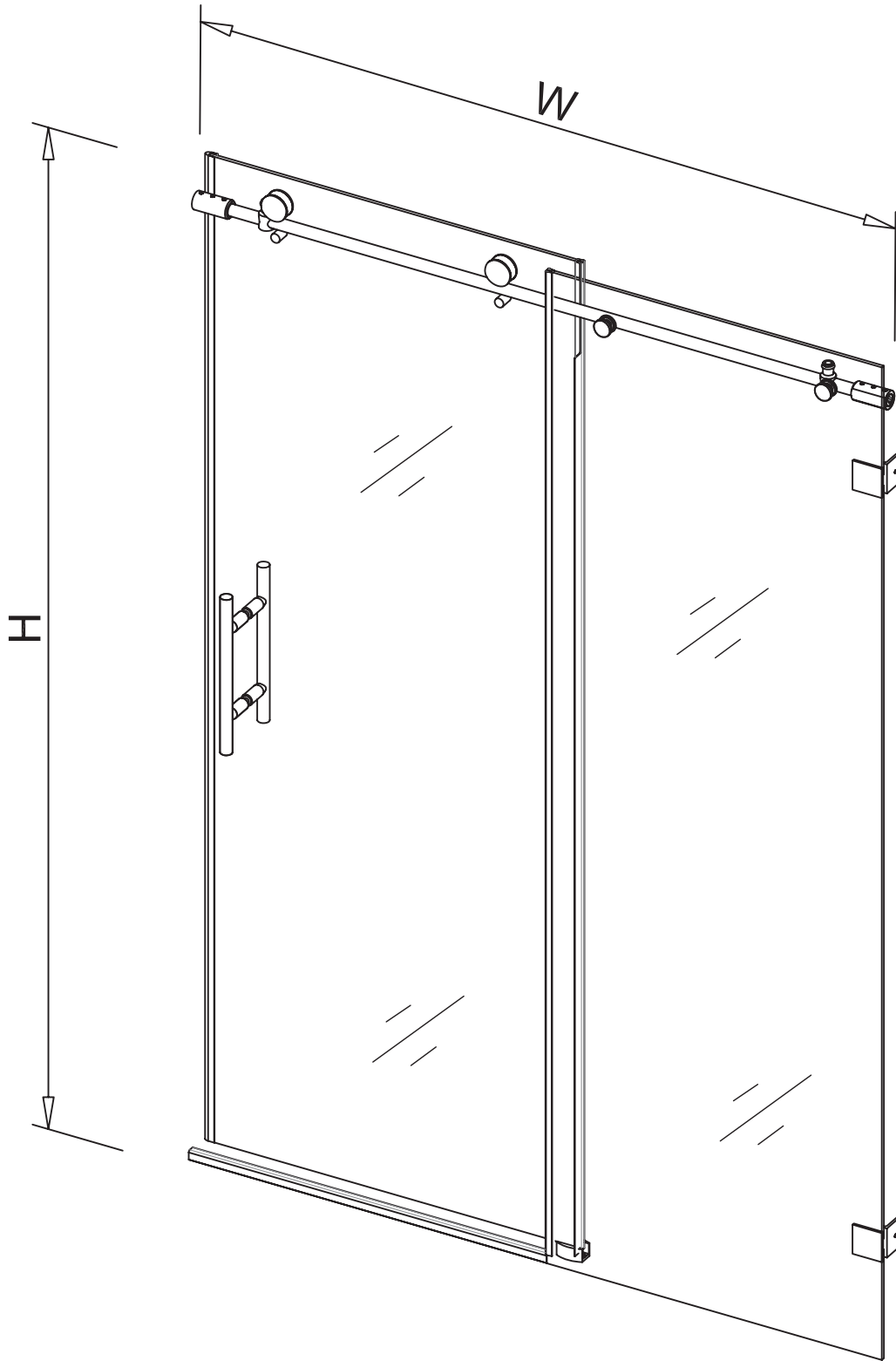


Hammer

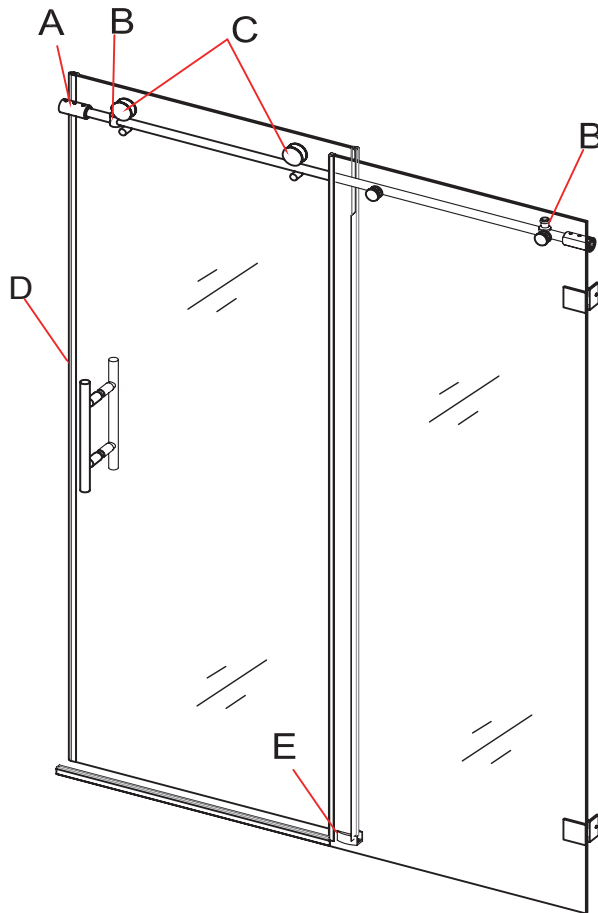


Miter Saw  
or Hacksaw

**OTHER TOOLS MAY BE REQUIRED**



Threshold Requirement (Size): 2-1/16"



**IMPORTANT INFORMATION  
REGARDING THE INSTALLATION  
OF THIS SHOWER DOOR**

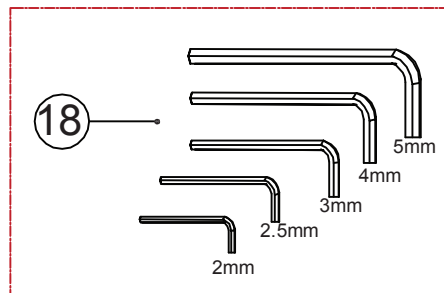
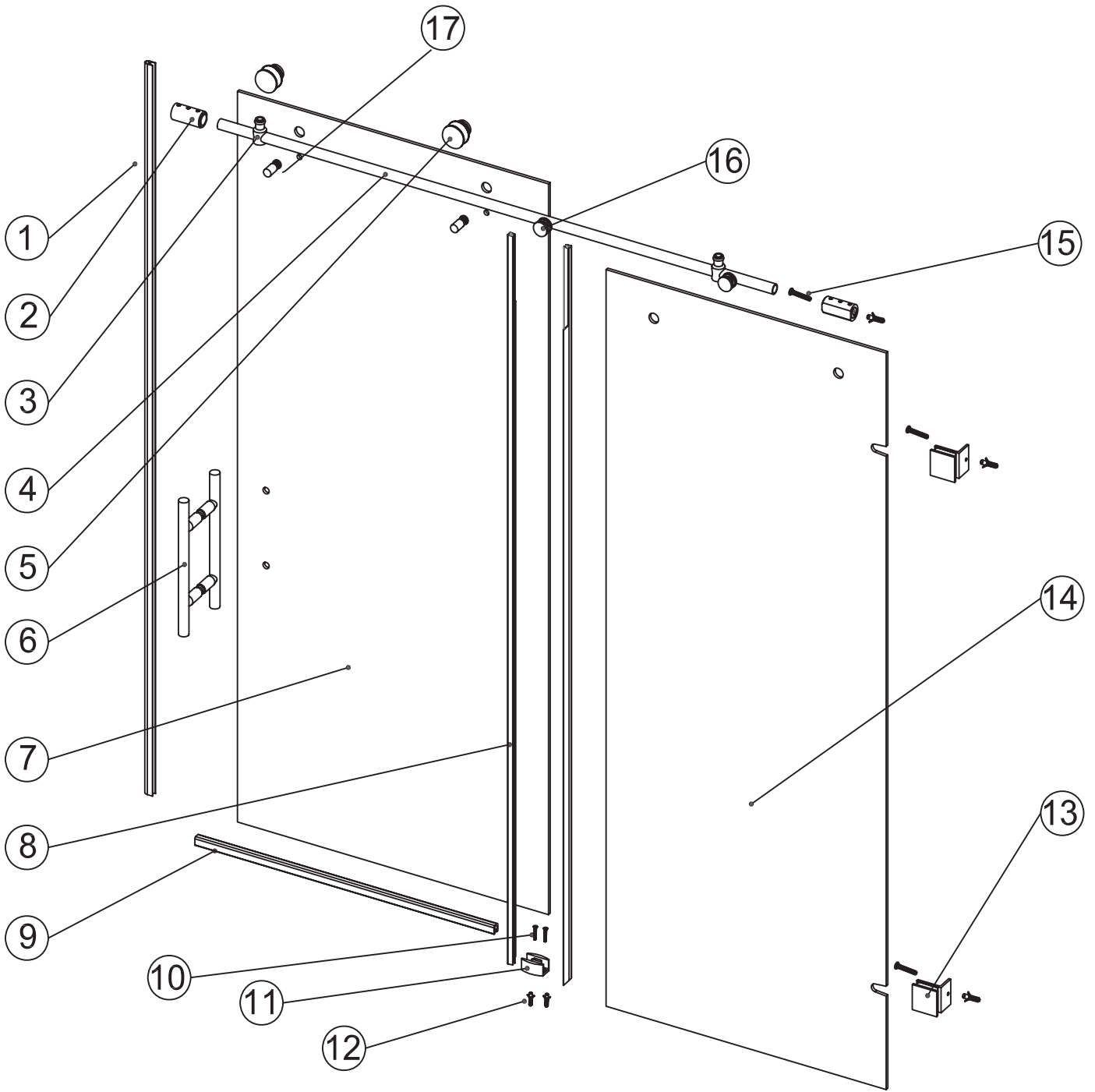
**A. Guide Rail Brackets must be firmly attached to the wall. Installation into a stud is strongly recommended. All of the guide rail bracket set screws must be accessible and tightened.**

**B. Thread Lock must be applied to the set screws in both stoppers. Door-side stopper must be installed at the proper position to prevent the door from contacting the wall.**

**C. Roller Wheel Assembly safety set screws: must be accessible and must be retightened with Thread Lock during installation.**

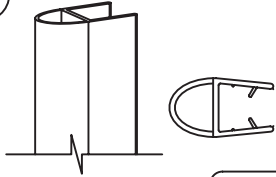
**D. Bulb Vinyl Seal must be installed on the closing edge of the Glass Door from contacting the wall.**

**E. The Guide Block must be installed square with the Stationary Glass and Glass Door. Installing the guide block crooked may damage the bottom edge of the Glass Door and lead to breakage.**



# Parts List

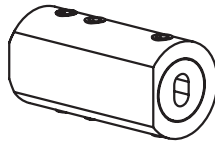
1



Bumper Strip

x1

2



Guide Rail Bracket

x2

3



Glass Door Stopper

x2

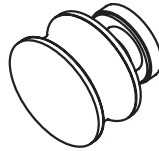
4



Upper Guide Rail

x1

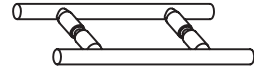
5



Roller

x2

6



Handle

x1

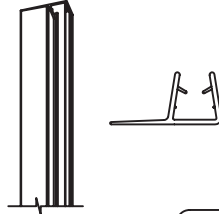
7



Glass Door

x1

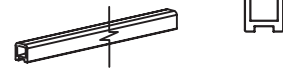
8



Side Anti-Water Strip

x2

9



Anti-splash Threshold

x1

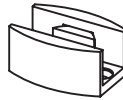
10



Screw M4X30

x2

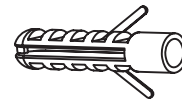
11



Bottom Guide

x1

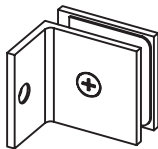
12



Wall Anchor

x6

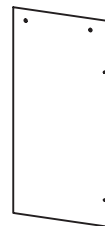
13



Clamp

x2

14



Stationary Glass

x1

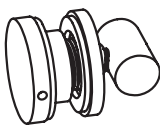
15



Screw M5X60

x4

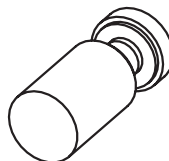
16



Glass Bracket

x2

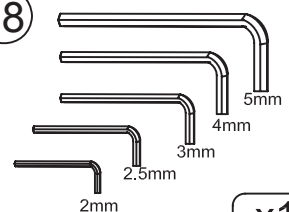
17



Safety Pin

x2

18



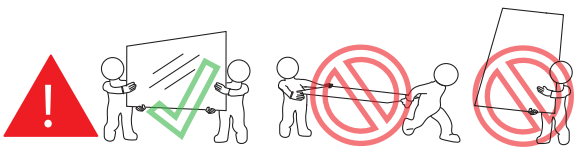
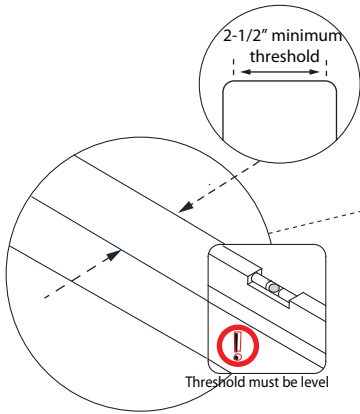
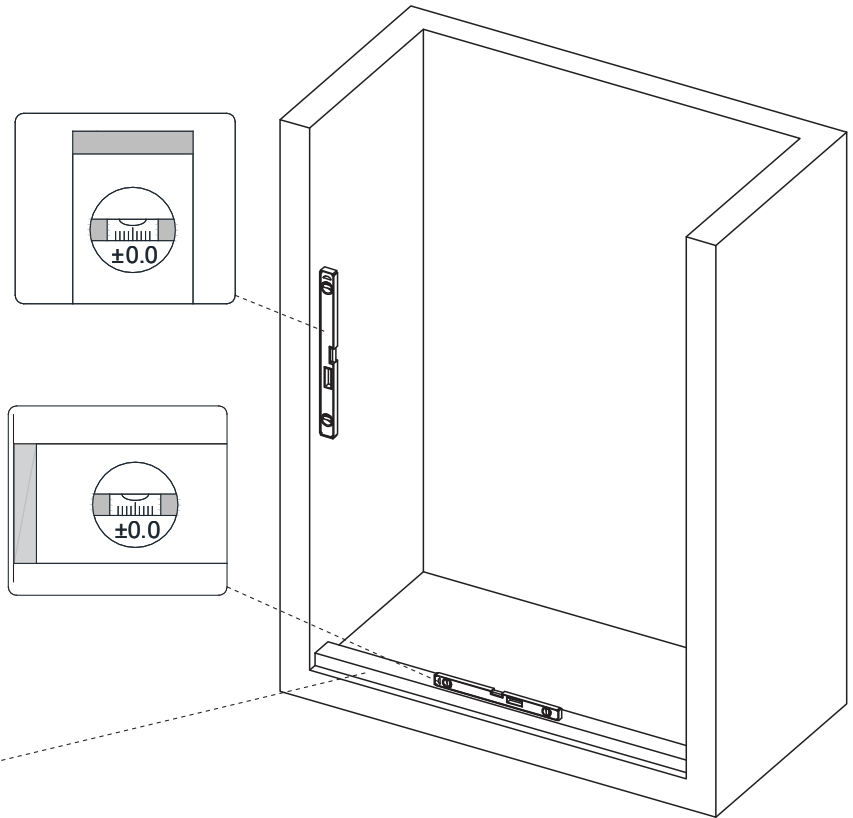
Allen Key

x1 Set

## Model Specific Preparation

No Out-of-Plumb Adjustment; Verify threshold and walls with a level

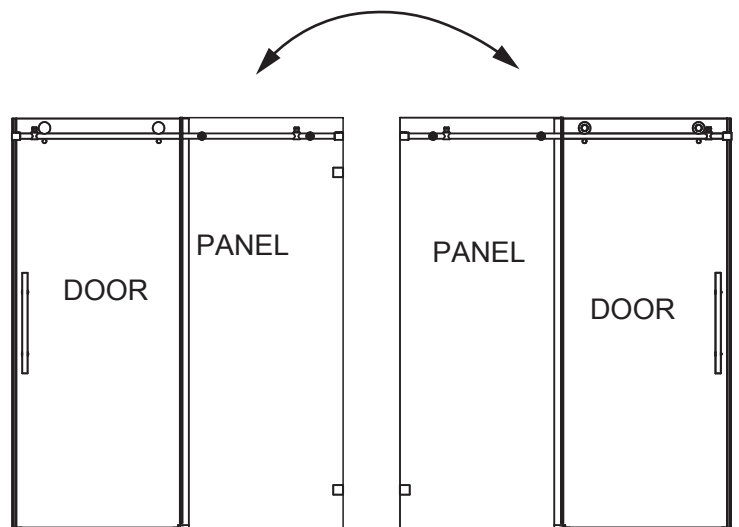
Threshold must be level

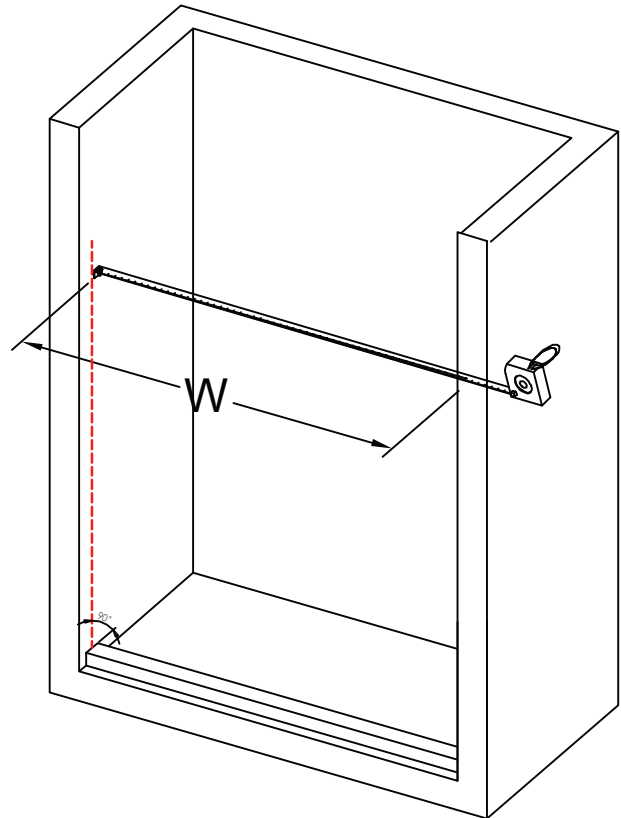
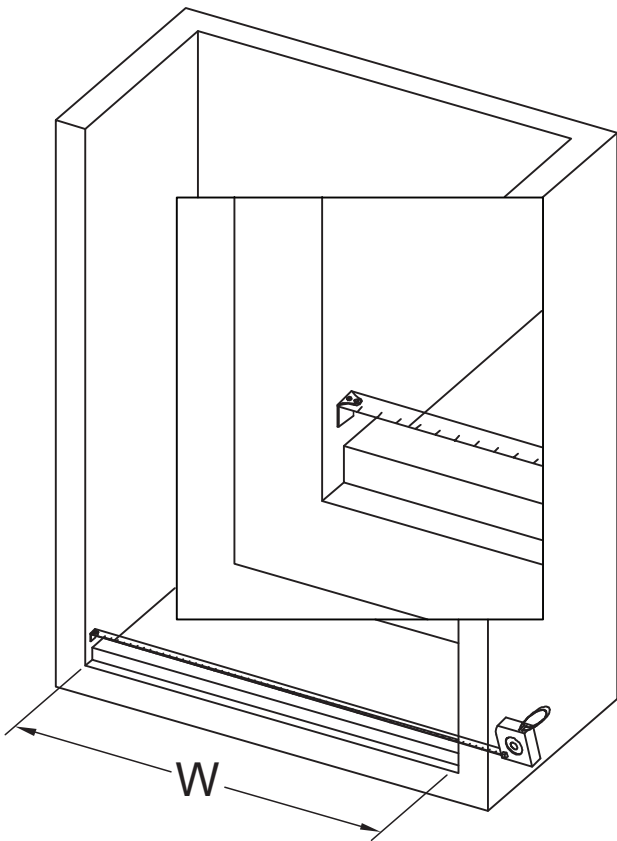
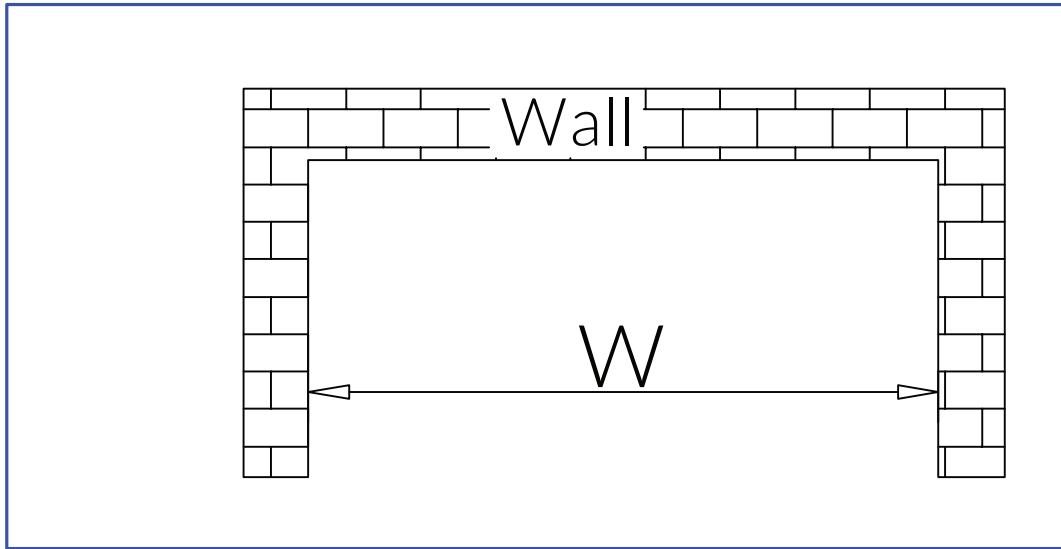


**CAUTION!**  **TWO PERSON LIFT REQUIRED**

**NOTE**

This model is reversible for right-hand or left-hand door installation. The right-hand door installation is shown as an example throughout this manual. For the left-hand door installation, simply begin on the opposite wall and reverse the orientation of the steps shown.



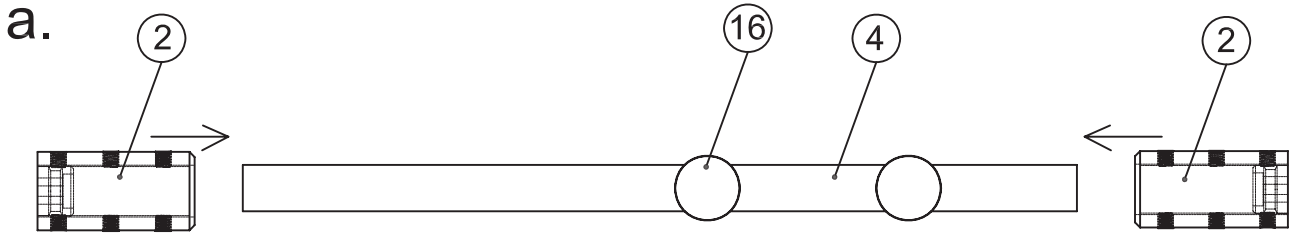


1. Measure the distance between two finished walls. This distance is marked as W.

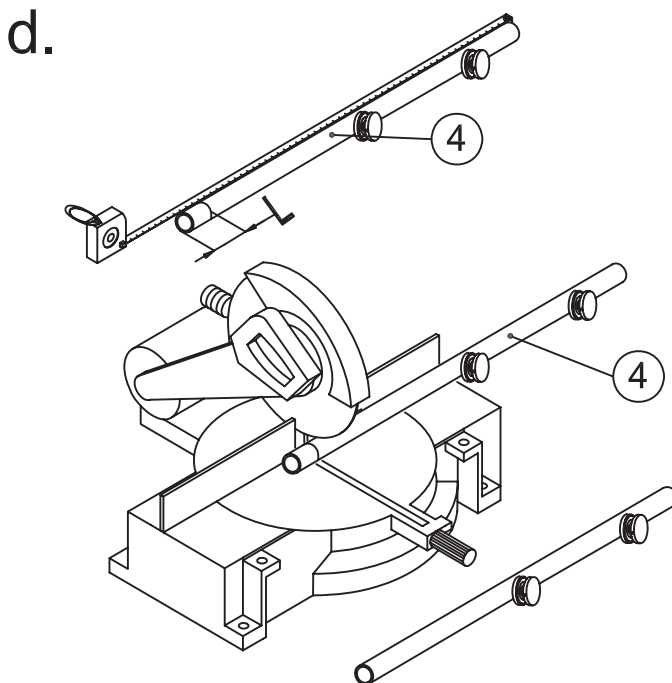
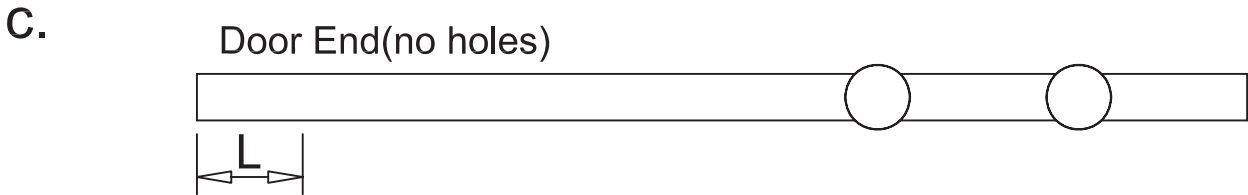
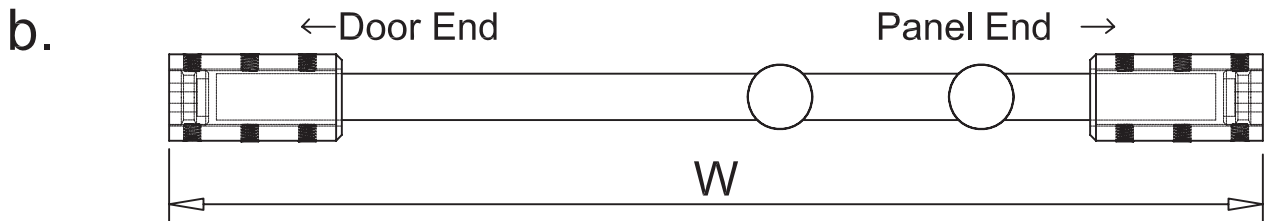
Please see Fig 1 for details:

Fig 1





Note: The Glass Brackets have been pre-installed to the roller bar.



2. Your Upper Guide Rail (4) has been precut for your Shower model opening width: 48" or 60" for shower width. If W-width of your wall-to-wall opening is equal to the size of your shower model, it is unnecessary to cut the Upper Guide Rail and you can continue to Step 3. If W-width of your wall-to-wall opening is less than the size of your Shower model, you will need to cut the Upper Guide Rail from the end which is farther from the Glass brackets (16) holes.

The length to cut off will be L:  
 $L = \text{Shower Model Size} - W$

Please see Fig 2 for details.

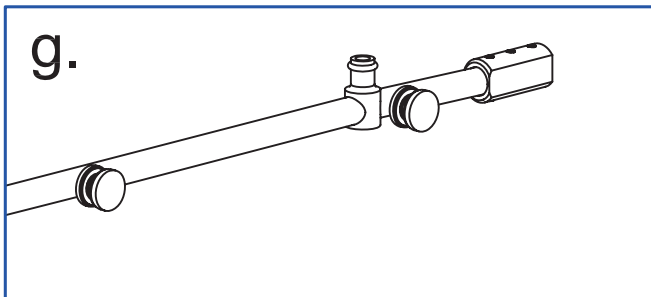
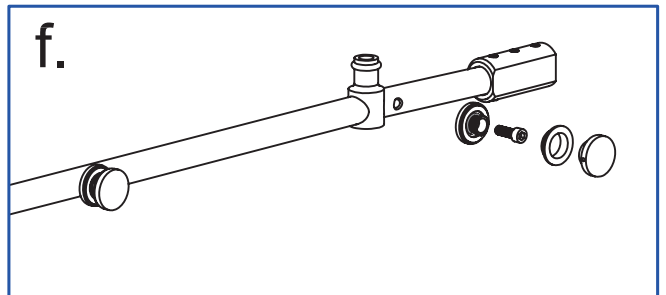
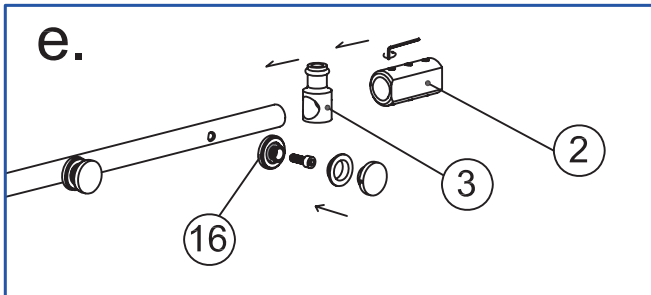
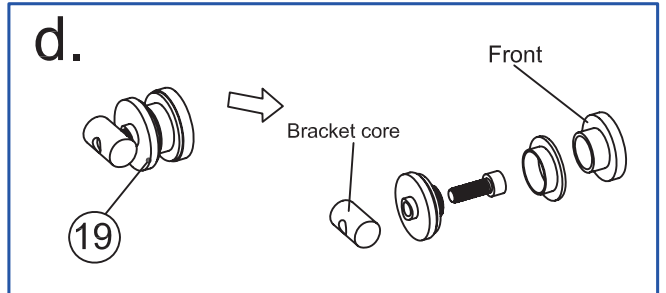
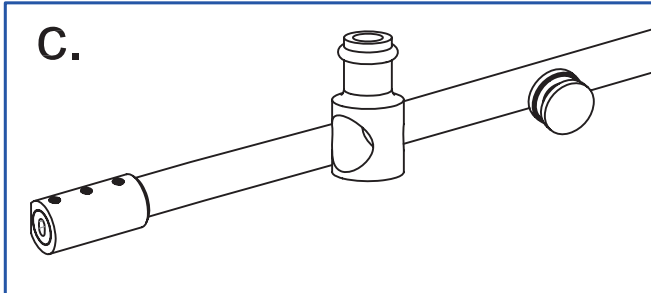
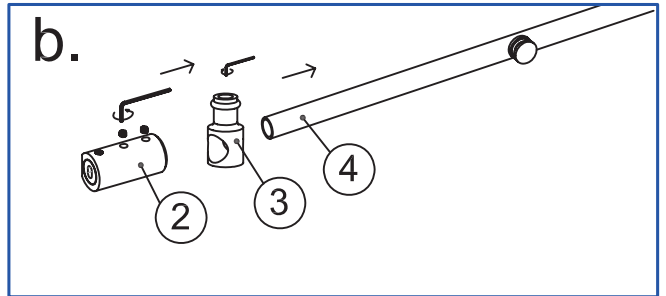
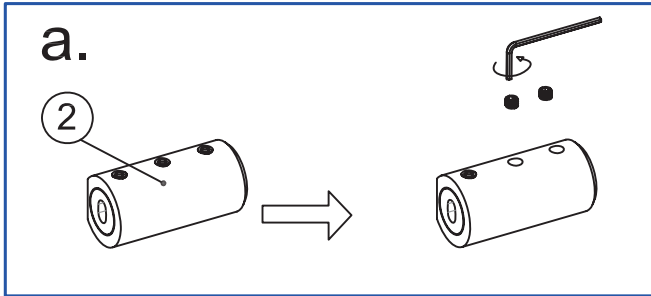
Fig 2

**FOR EXAMPLE**

If your wall opening  $W=47"$ . Your shower model is 48".

$L=48"-47"=1"$ ,

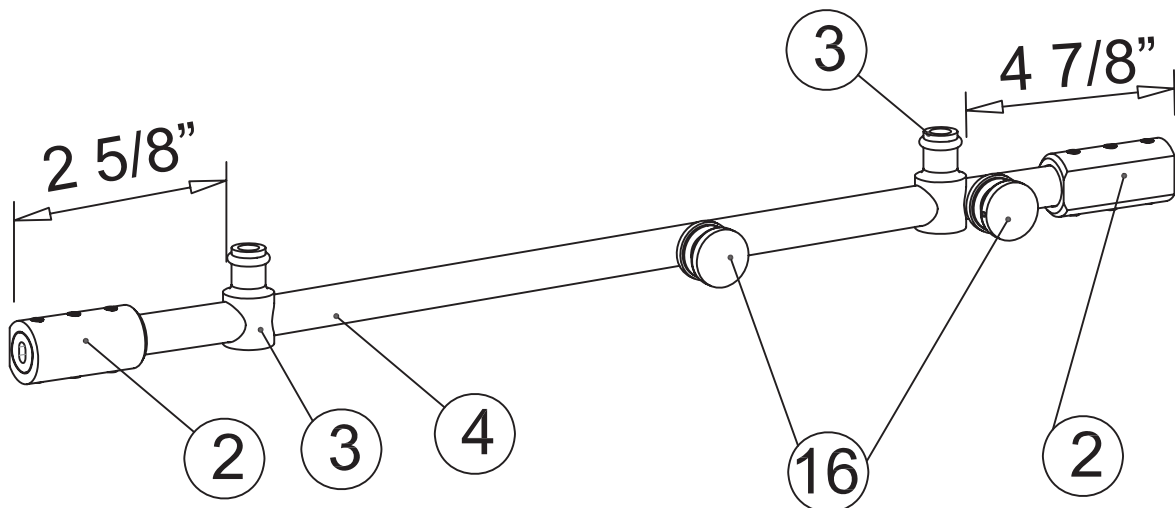
You have to cut 1" off from the rail.



3. Use the Allen Key (18) to loose the screw on the Guide Rail Brackets (2) and Glass Door Stoppers (3). Slide the Glass Door Stopper and then the Guide Rail Bracket to the Guide Rail (4), use the Allen Key to tighten the parts to the guide rail temporarily.

Please see Fig 3 for details.

Fig 3



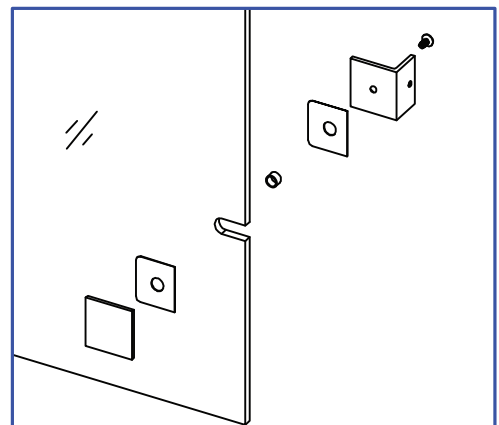
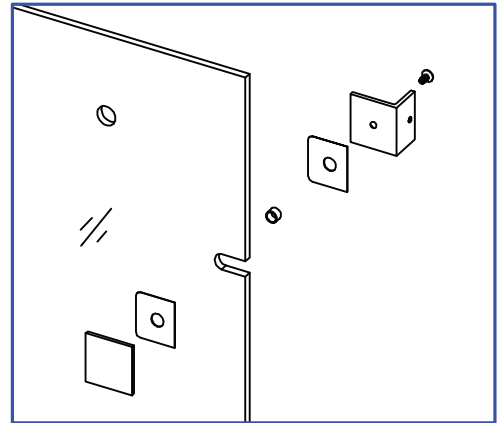
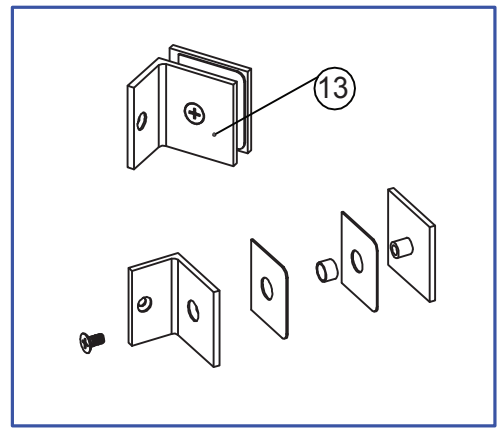
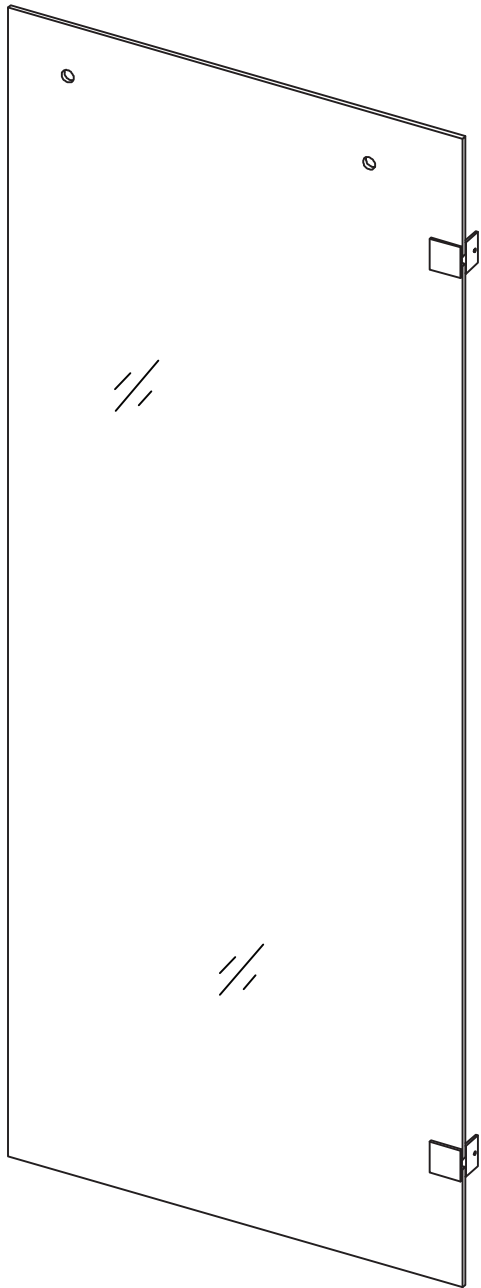
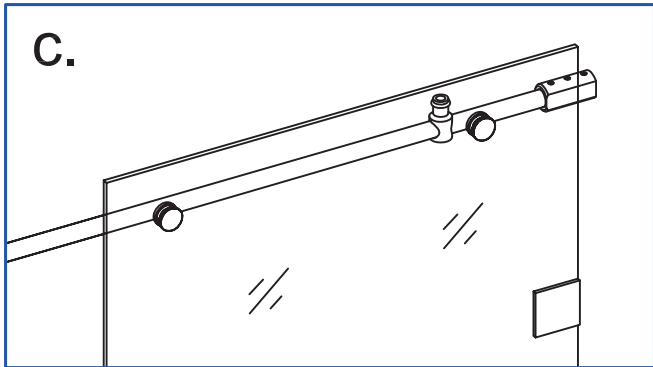
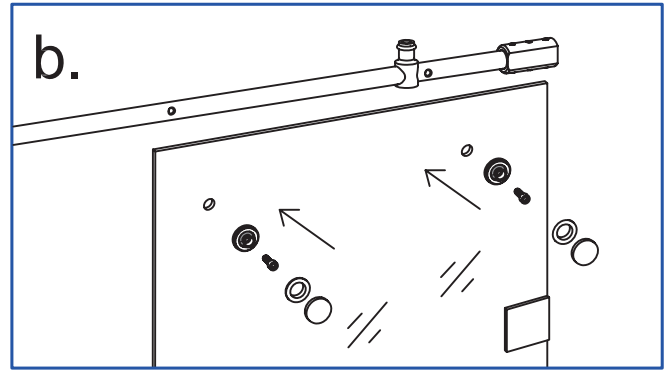
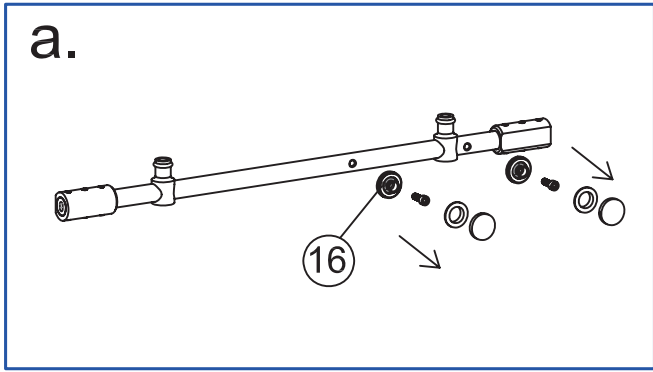


Fig 4

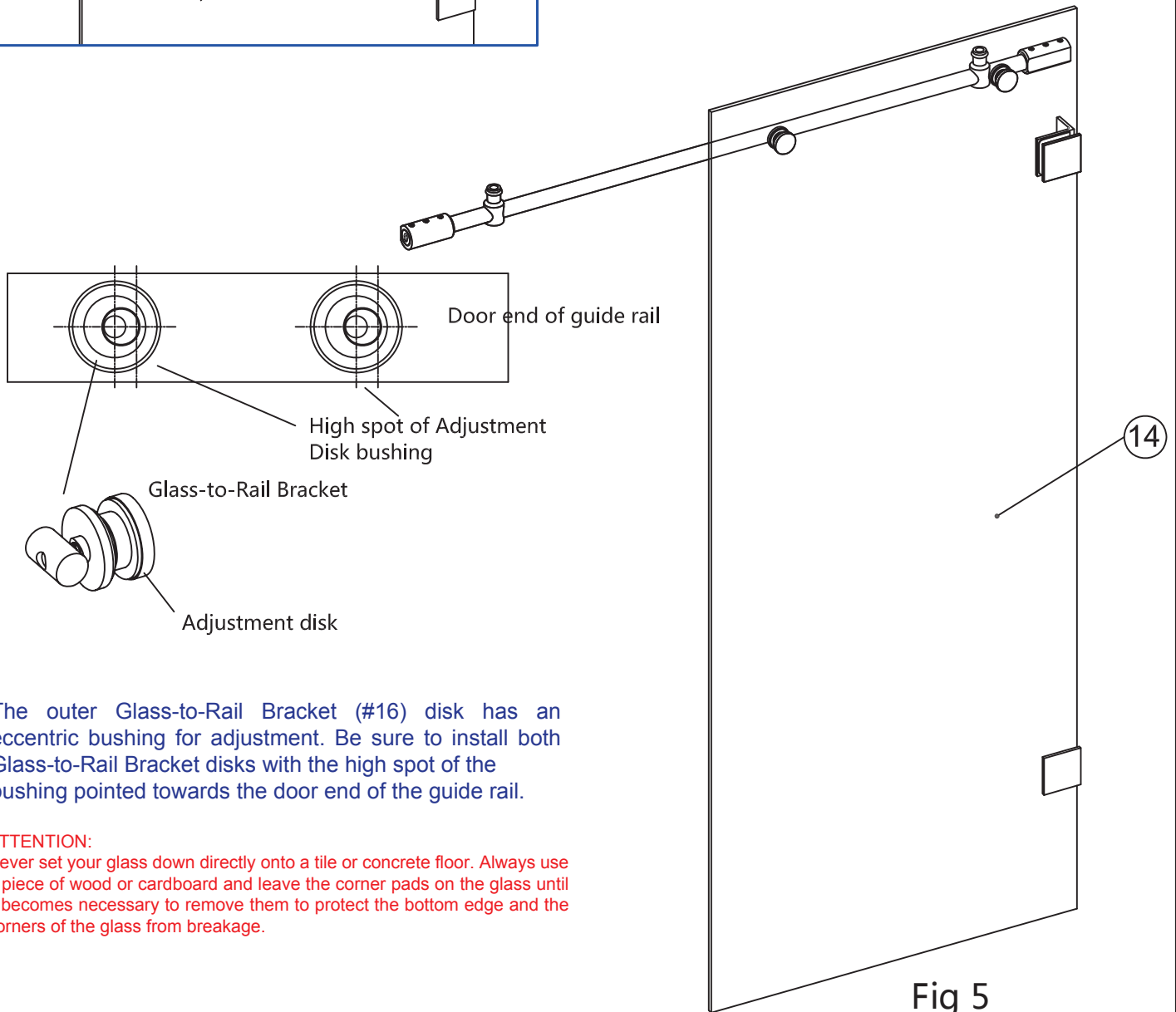
4. Loosen the screw on Clamp (13). Disassemble the Clamp and install it on the Stationary Glass (14).

Please see Fig 4 for details



5. Loosen the screws on the Glass Bracket (16), align the hole of the Glass Bracket to the holes on the Stationary Glass (14). Secure the Upper Guide Rail (4) to the Stationary Glass by fastening the screws on the Glass Bracket.

Please see Fig 5 for details.

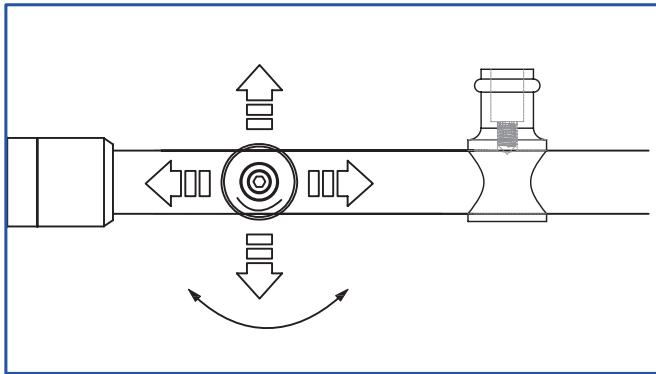
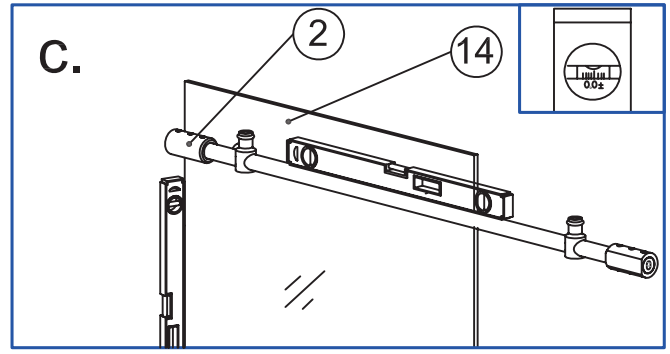
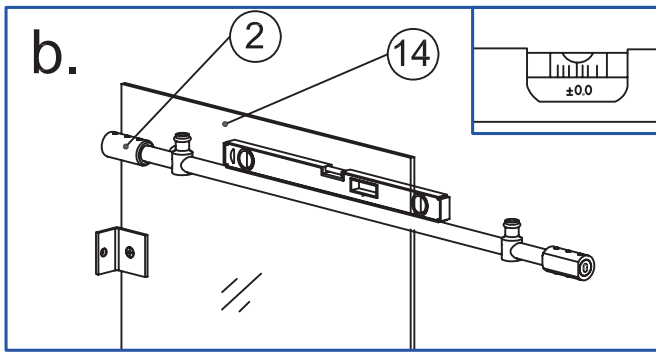


The outer Glass-to-Rail Bracket (#16) disk has an eccentric bushing for adjustment. Be sure to install both Glass-to-Rail Bracket disks with the high spot of the bushing pointed towards the door end of the guide rail.

**ATTENTION:**

Never set your glass down directly onto a tile or concrete floor. Always use a piece of wood or cardboard and leave the corner pads on the glass until it becomes necessary to remove them to protect the bottom edge and the corners of the glass from breakage.

Fig 5



rotate disk(s) to level rail

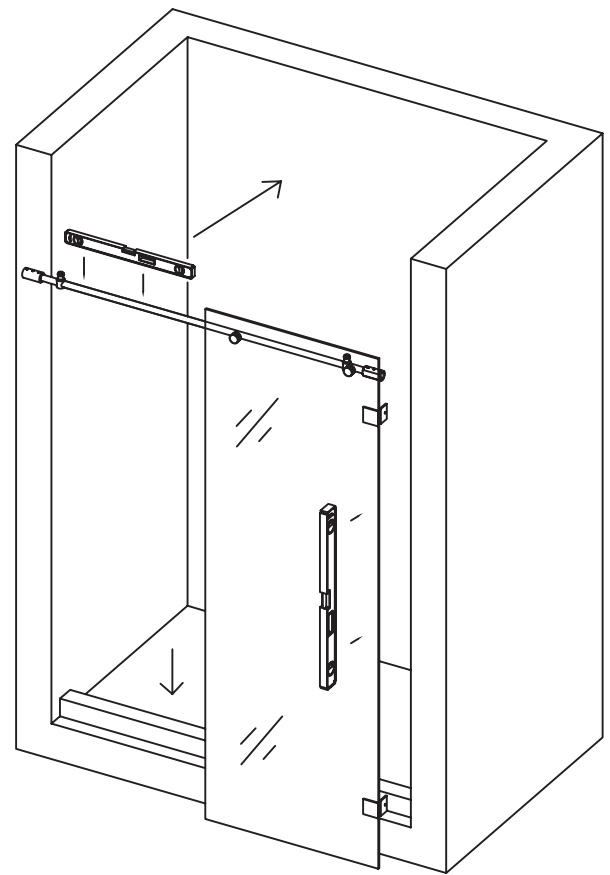
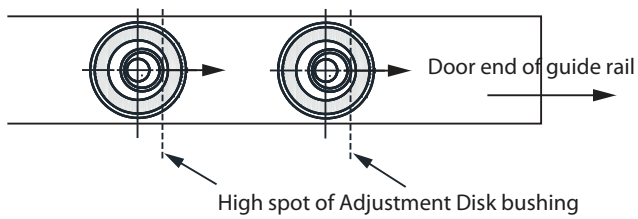


Fig 6

The Stationary Glass (14) must be installed to the outside of the Upper Guide Rail (4).

6. Place the Stationary Glass Assembly against the wall. Make sure the Stationary Glass and the Upper Guide Rail (4) are leveled.

Please see Fig 6 for details.

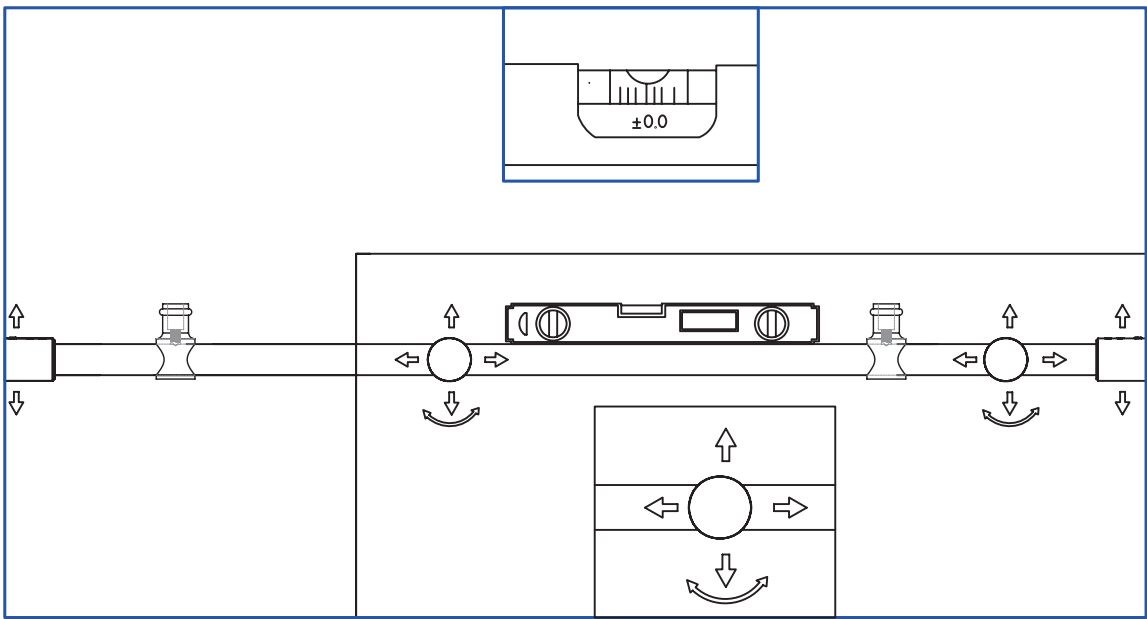
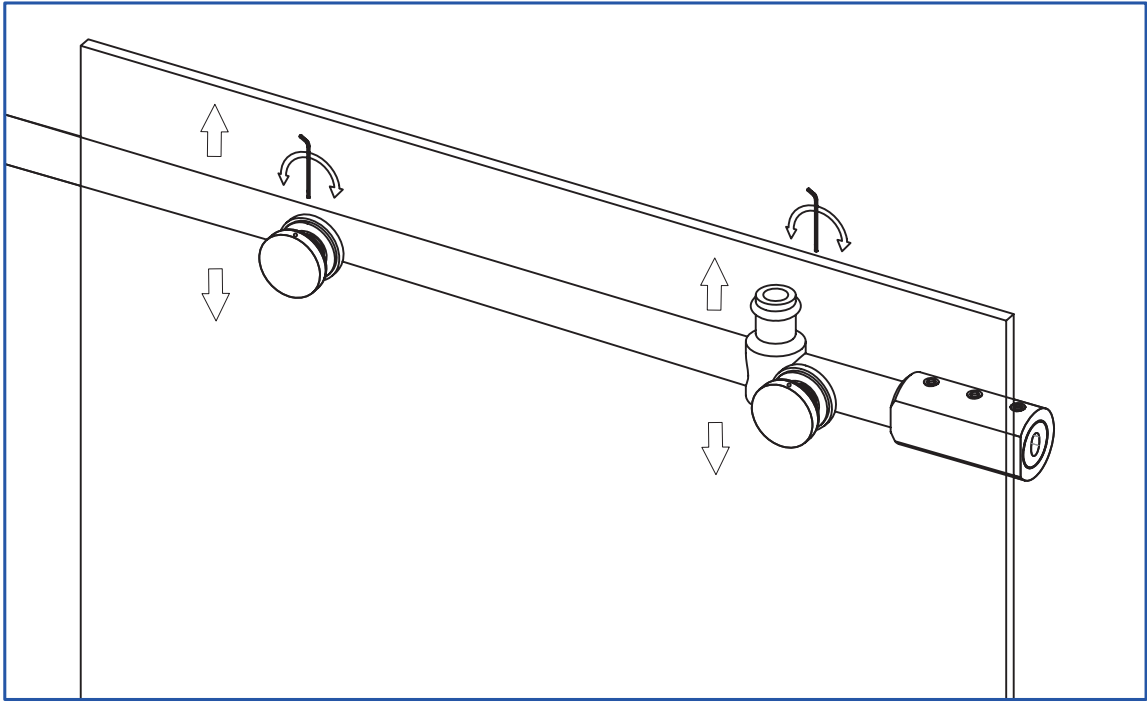
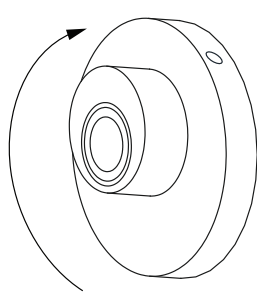
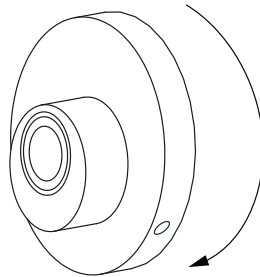


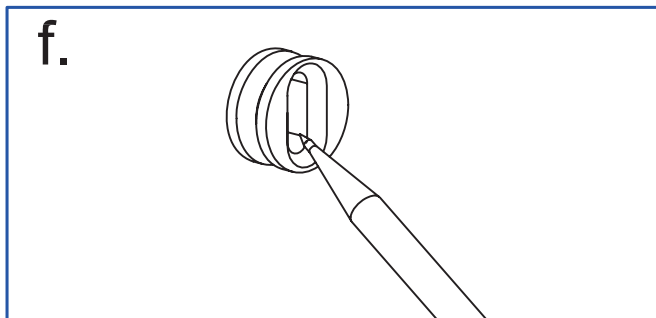
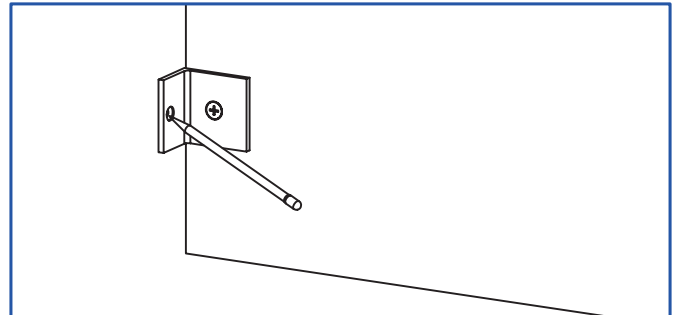
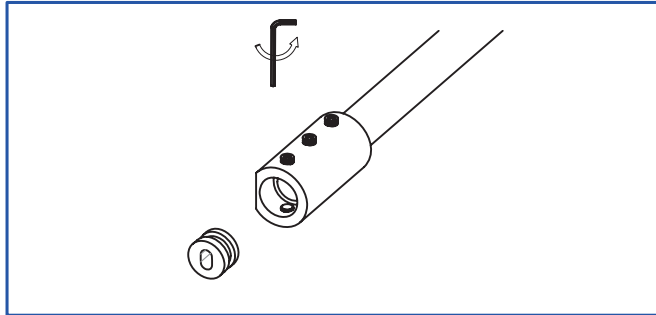
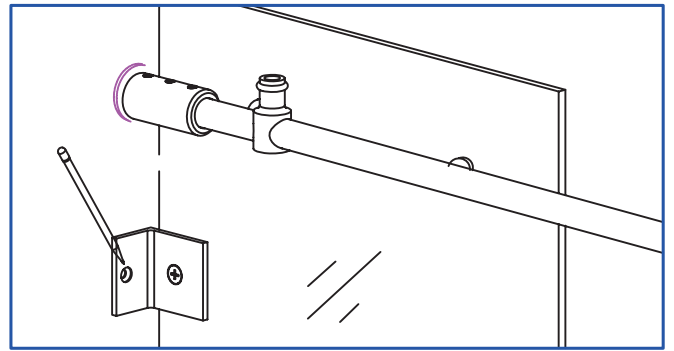
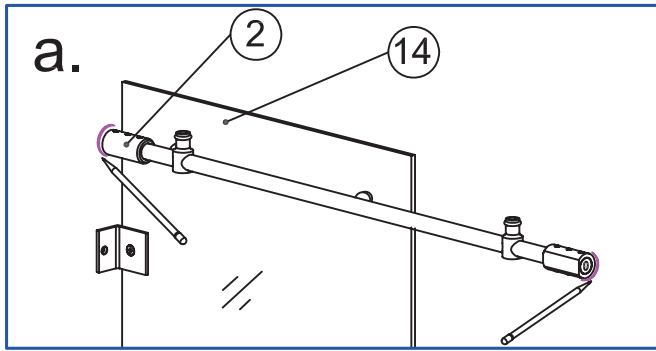
Fig 6 \*right-hand door installation shown.



Lower guide rail



Raise guide rail



7. Slide the Guide Rail Bracket (2) against the wall, outline the Guide Rail Brackets position on the wall. Set the Stationary Glass Assembly aside. Remove the Wall Bracket from the Guide Rail Bracket and place them to the outlined positions and mark the drilling holes on the wall. Outline the position of the Clamp (13) on the wall as well. Remove the Clamp from the Stationary Glass and place it back to the outlined positions, now mark the drilling holes on the wall.

Please see Fig 7 for details.

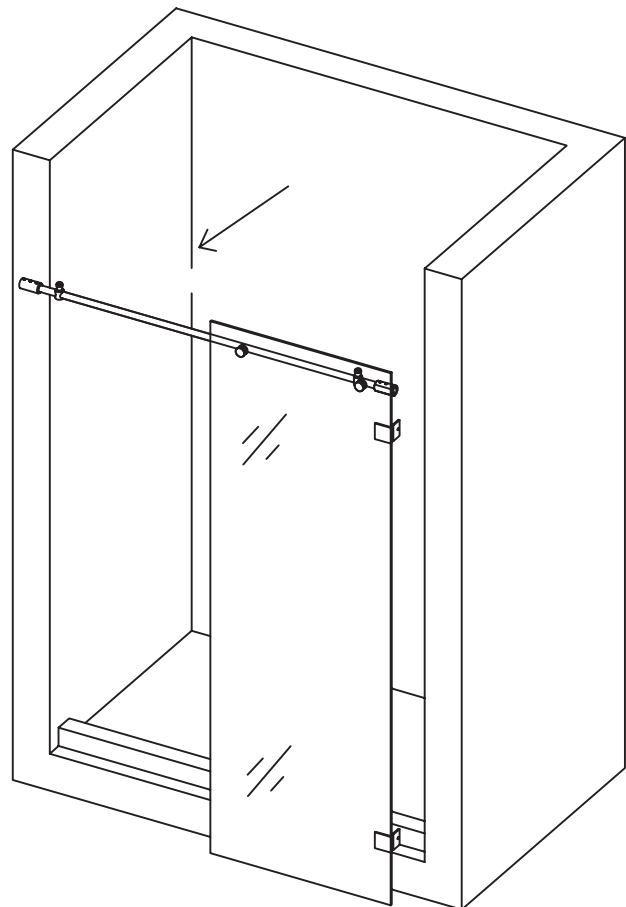
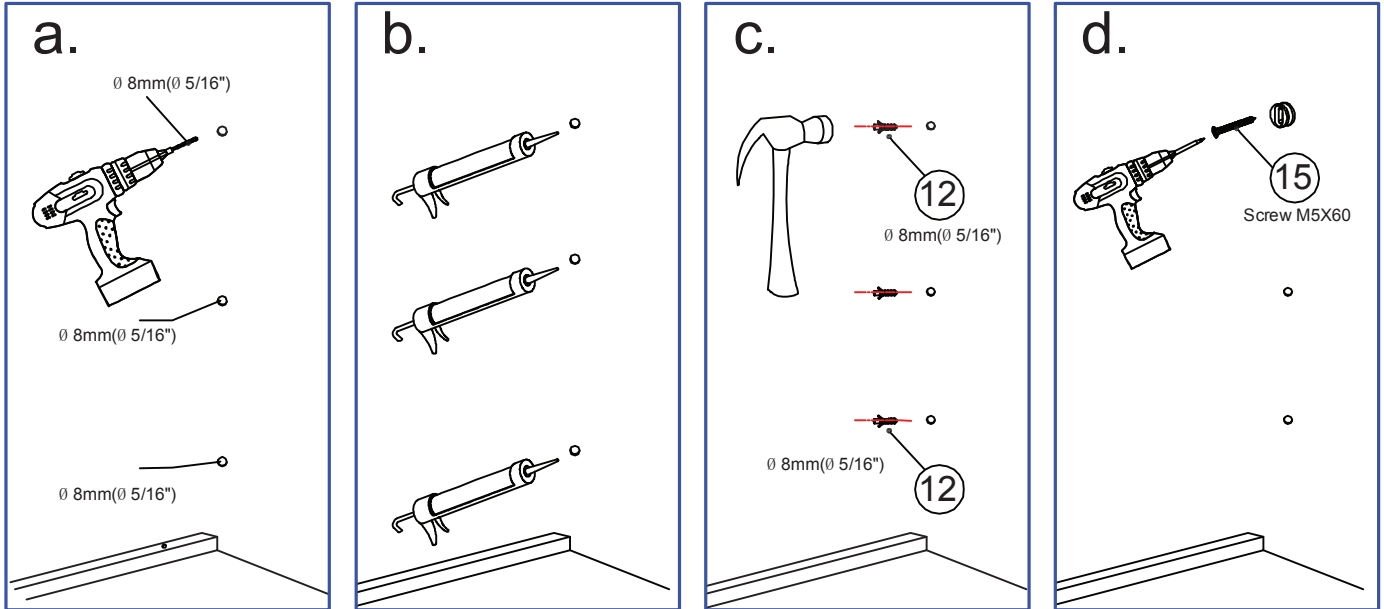


Fig 7

8. Drill the holes to the wall per the predrilled position using 8mm(5/16") drill bit and apply silicone into the holes, insert the Wall Anchors (12). Mount the Wall Bracket of the Guide Rail Bracket (2) to the wall by using the Screws M5×60 (15). Mount the Clamp Plate to the wall by using M5x60 screw (15)

Please see Fig 8 for details.



**Note:**

The other side of the Guide Rail Bracket (2) is installed in the same way.

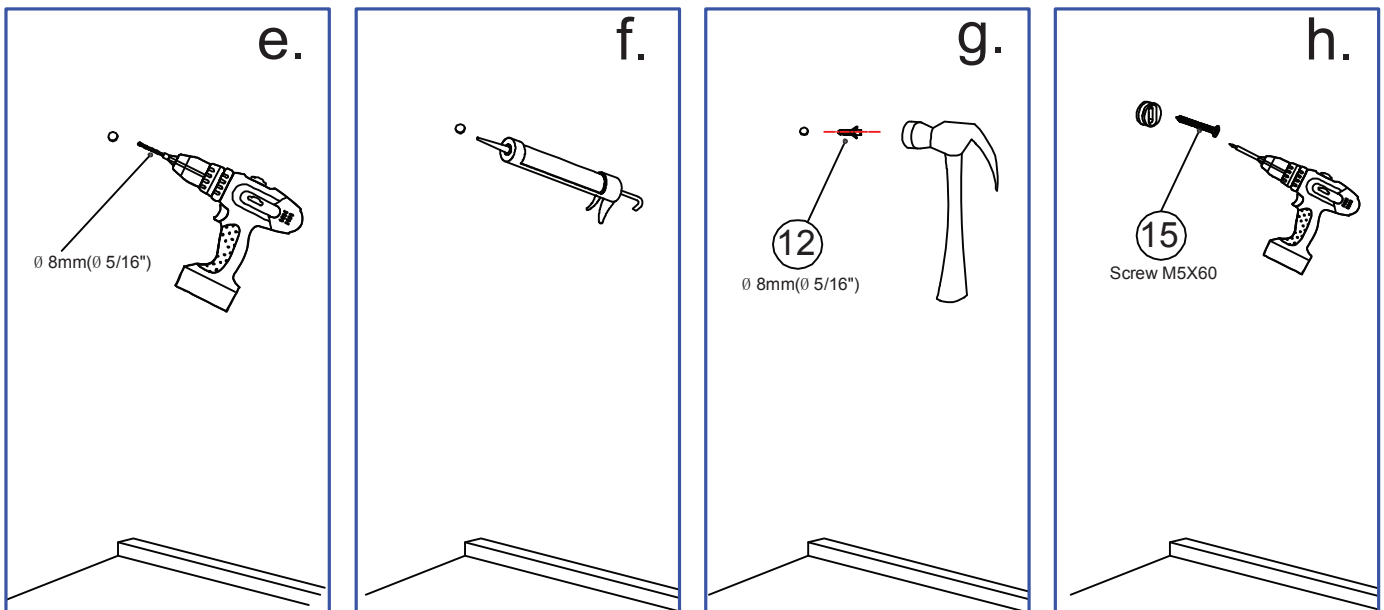
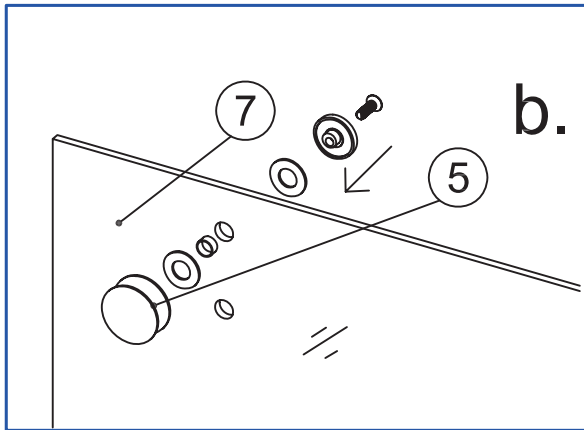
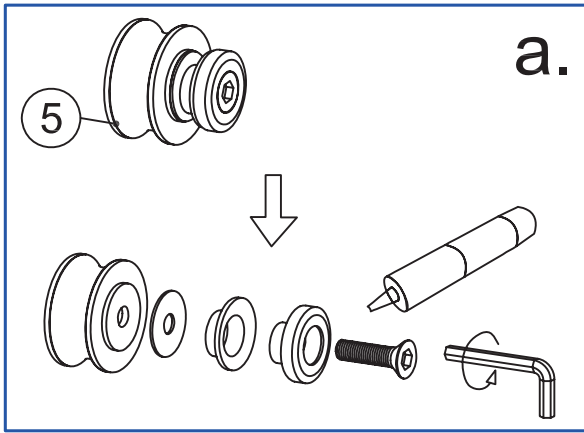


Fig 8





9. Attach the two Roller Assemblies (5) to the Glass Door(7) with the wheels facing outside of the shower.

Please see Fig 9 for details

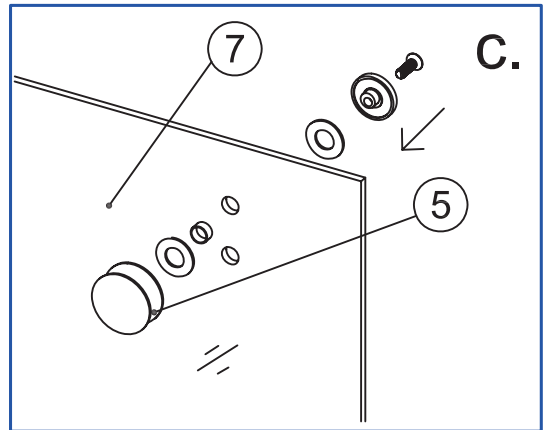
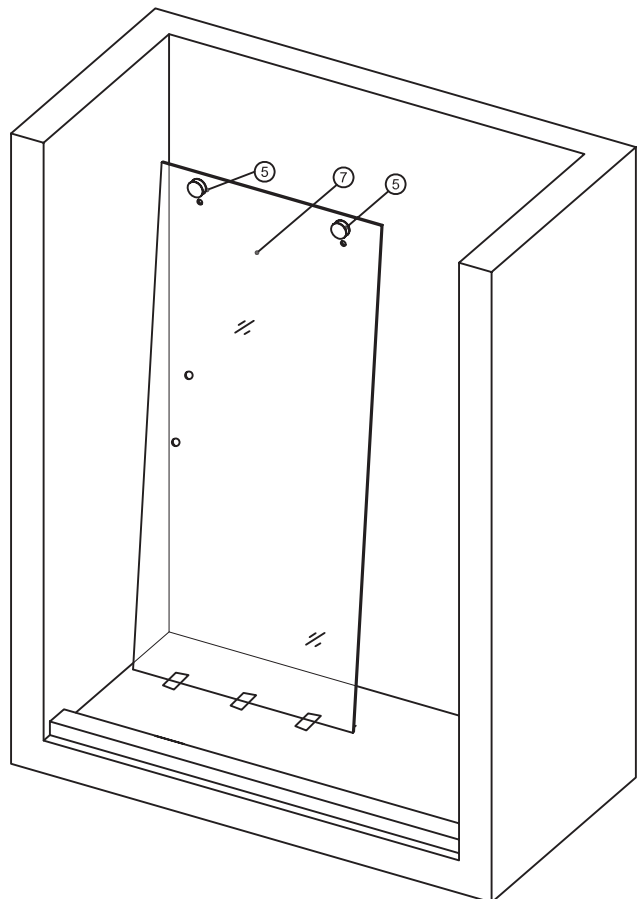


Fig 9



**Attention:**

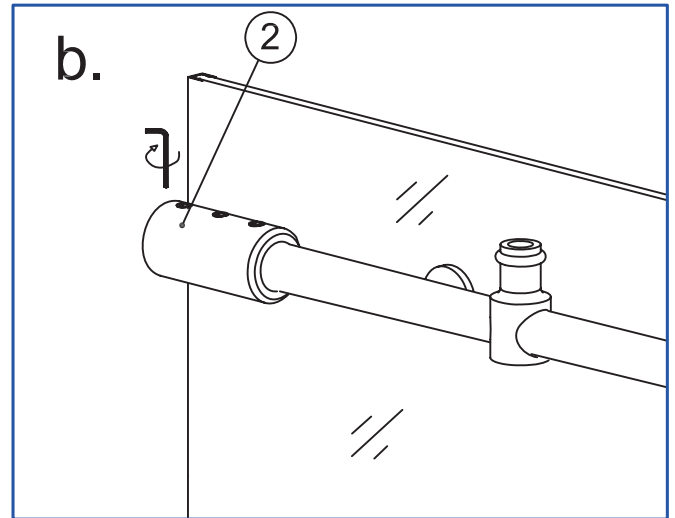
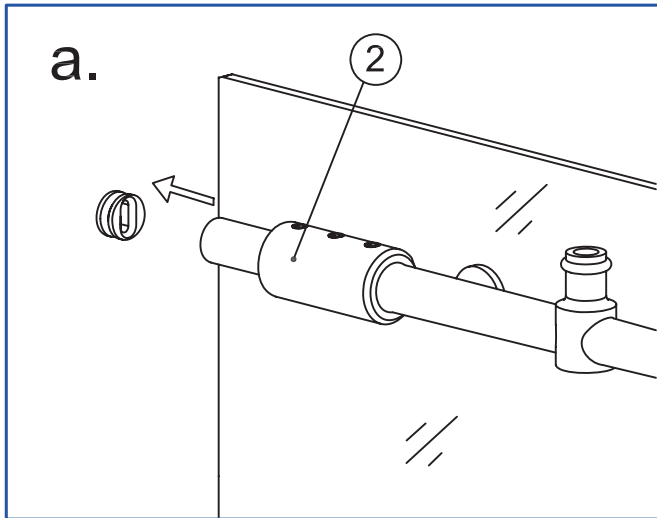
Make sure all the gaskets and bushers will be between the glass and the metal part of the roller.

DO NOT attach the handle to the Glass Door until instructed.

DO NOT attempt to lift the Glass Door with the handle as this may result in damage to the glass and/or serious personal injury. Use a professional grade glass suction cup and an assistant.

10. Place the Stationary Glass Assembly back into the designated position. Slide the Guide Rail Bracket (2) to the two end sides of the Upper Guide Rail(4). Tighten the set screws on the Guide Rail Bracket (2) with Allen Key (18) to secure the Guide Rail to the wall.

Please see Fig 10 for details.



Note: The other side of the Guide Rail bracket (2) is installed in the same way.

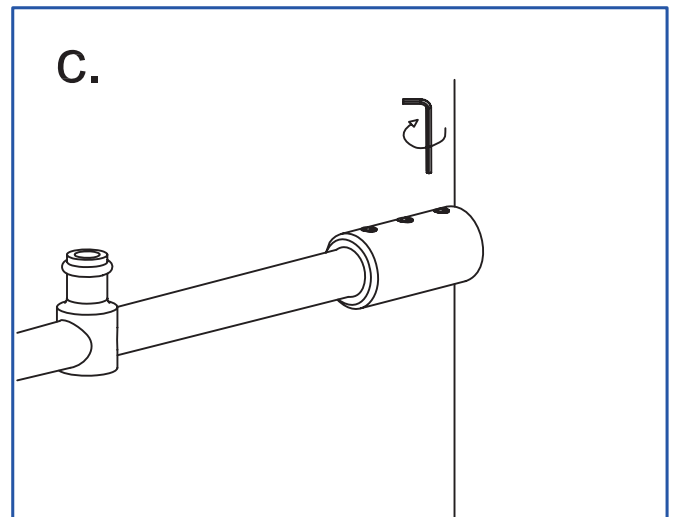
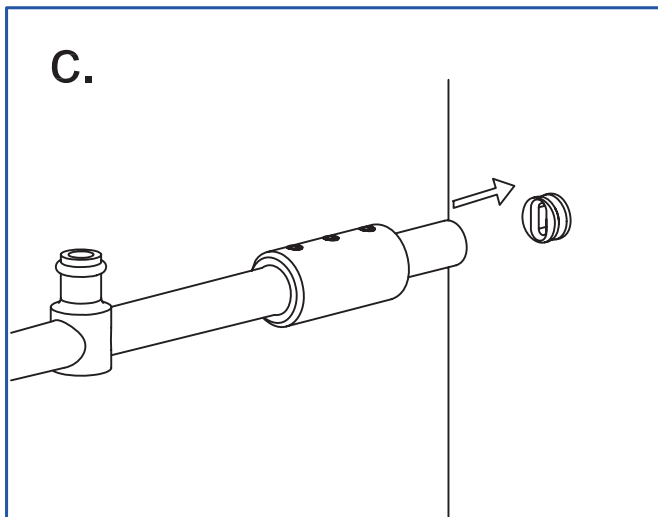
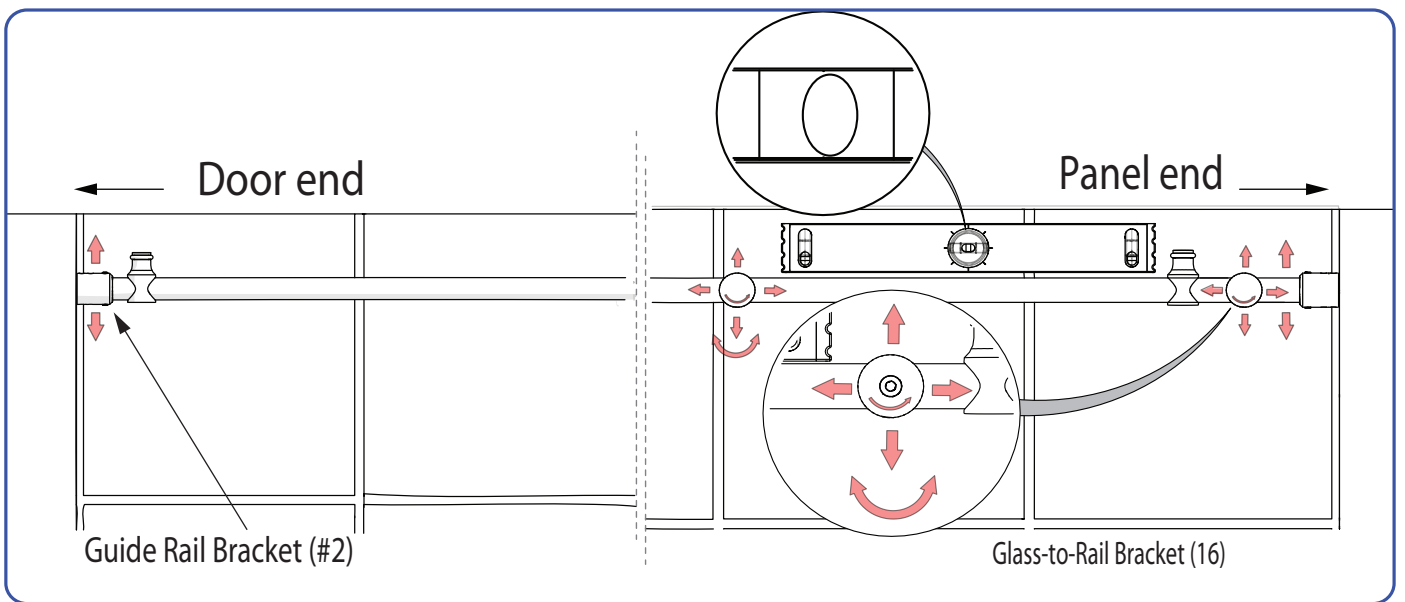
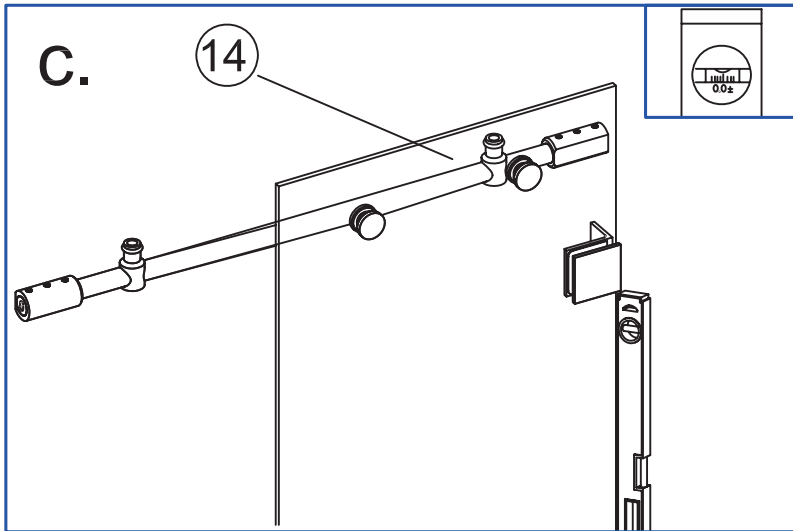
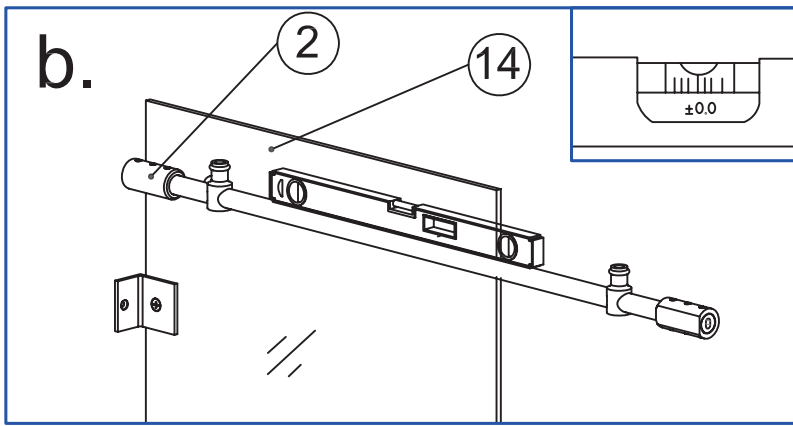
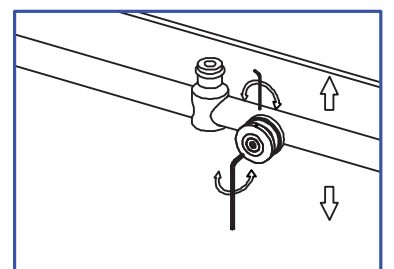
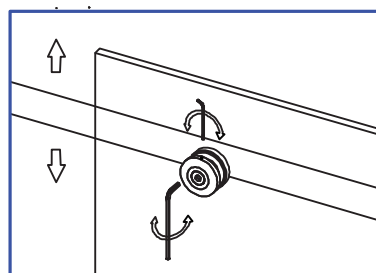
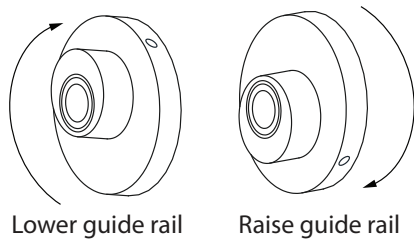


Fig 10



**Fig 11** \*right-hand door installation shown.



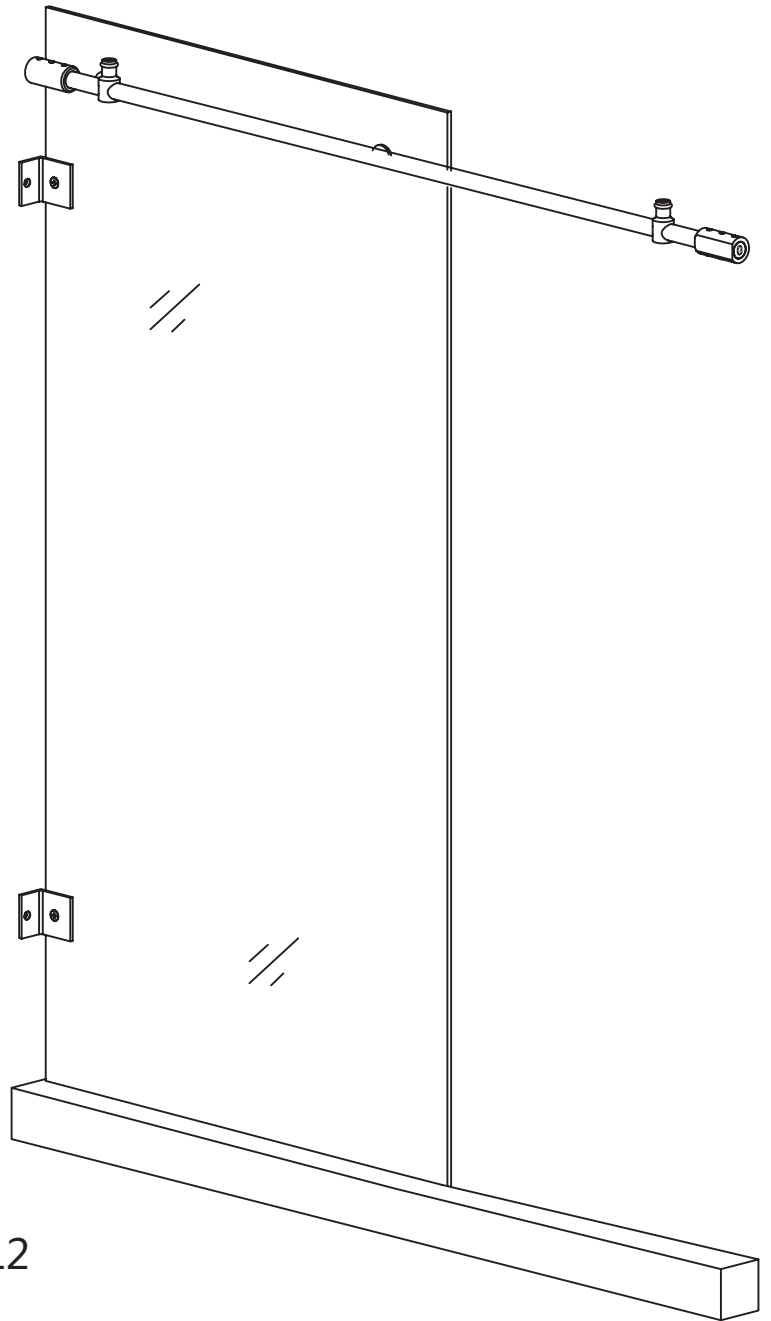
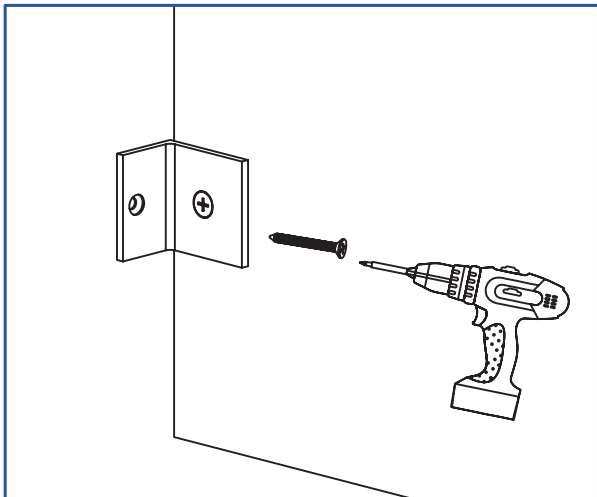
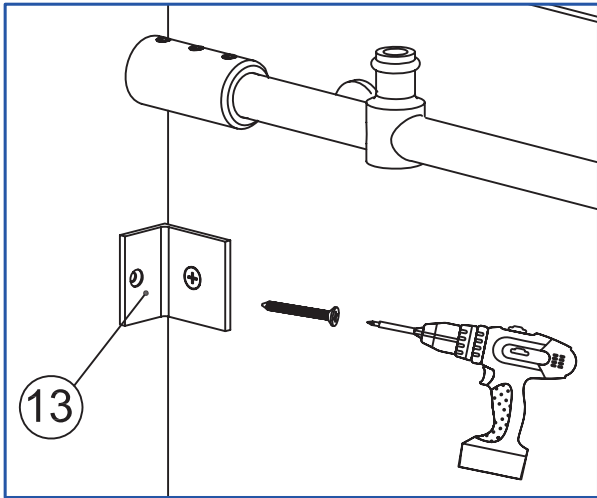


Fig 12

12. Install the Clamp (13) back to the Stationary Glass (14).

Please see Fig 12 for details

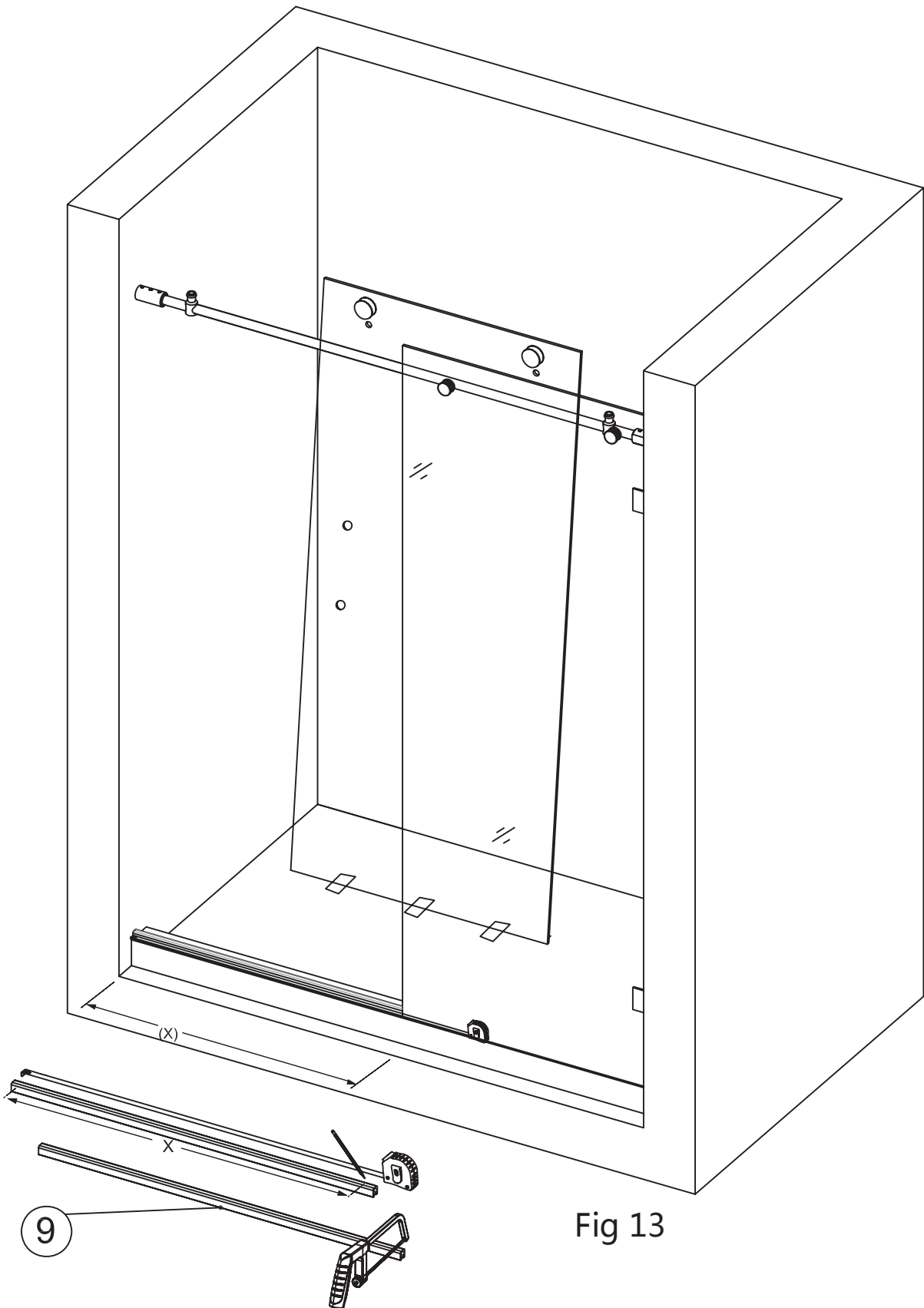


Fig 13

13. Measure the distance "X" from the Stationary Glass(14) to the wall. Cut the Anti-Splash Threshold(9) to the length of "X" if necessary.

Please see Fig 13 for details

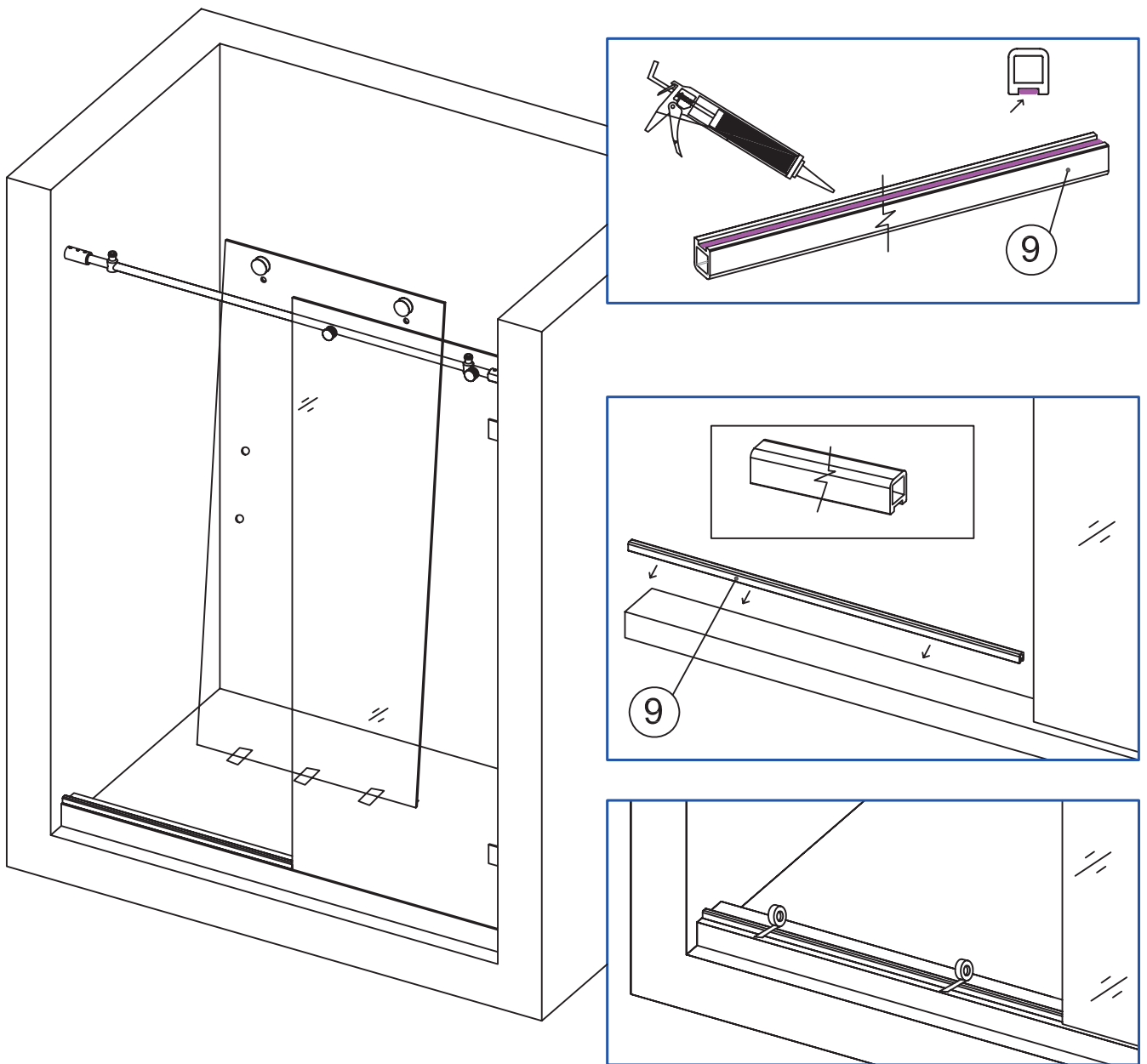


Fig 14

14. Put silicone sealant to the bottom of the Anti-Splash Threshold(9), secure the threshold in front of the Glass Door (7).

Please see Fig 14 for details

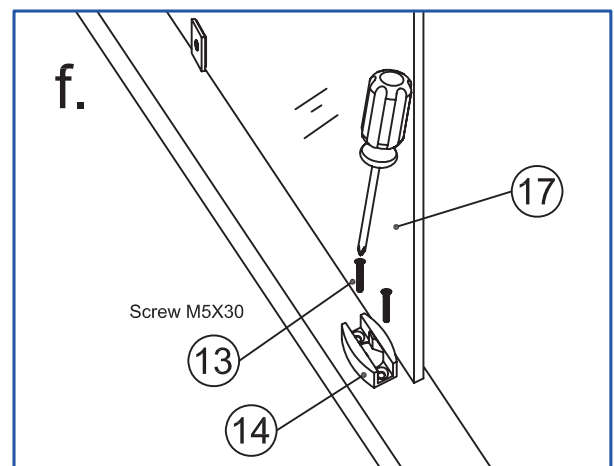
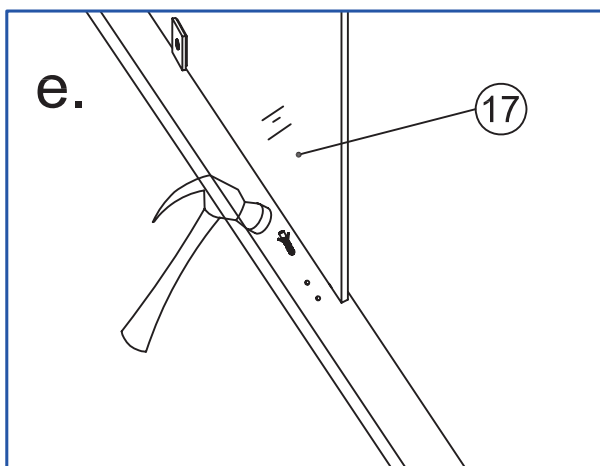
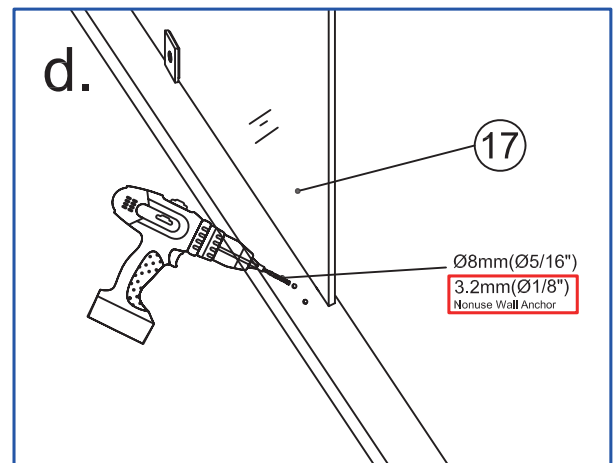
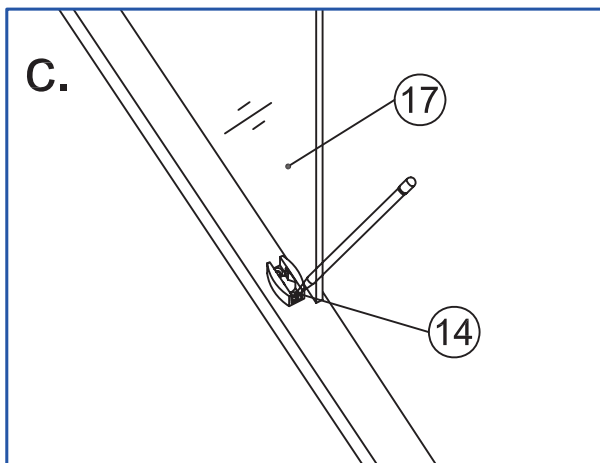
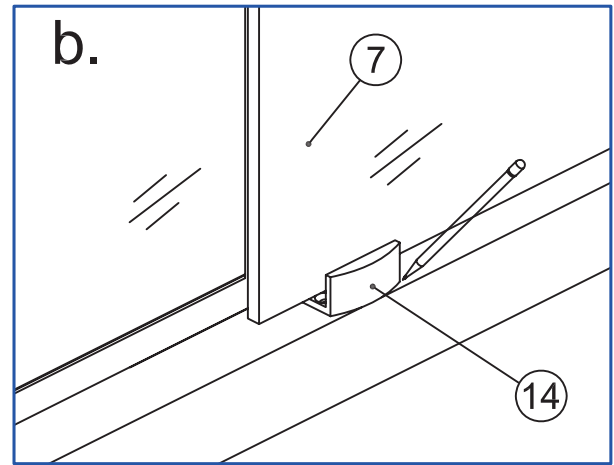
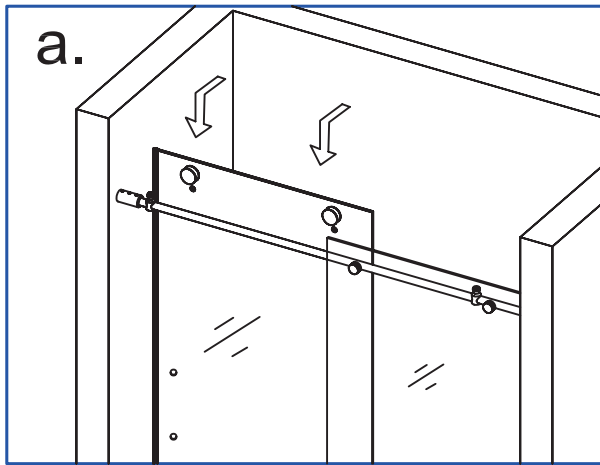


Fig 15

15. Hang the Glass Door (7) installed with rollers to the Upper Guide Rail (4). Slide the Bottom Guide (11) to the bottom of the glass door. Mark down the predrilled position of the Bottom Guide.

Set the glass door Assembly aside. Now drill the hole with 3.2mm( $\text{\O} 1/8''$ ) drill bit to the threshold. Put the silicone to the hole and then put the wall anchor (12) into the hole. Now secure the Bottom Guide to the threshold with M4x30 screw (10).

Please see Fig 15 for details

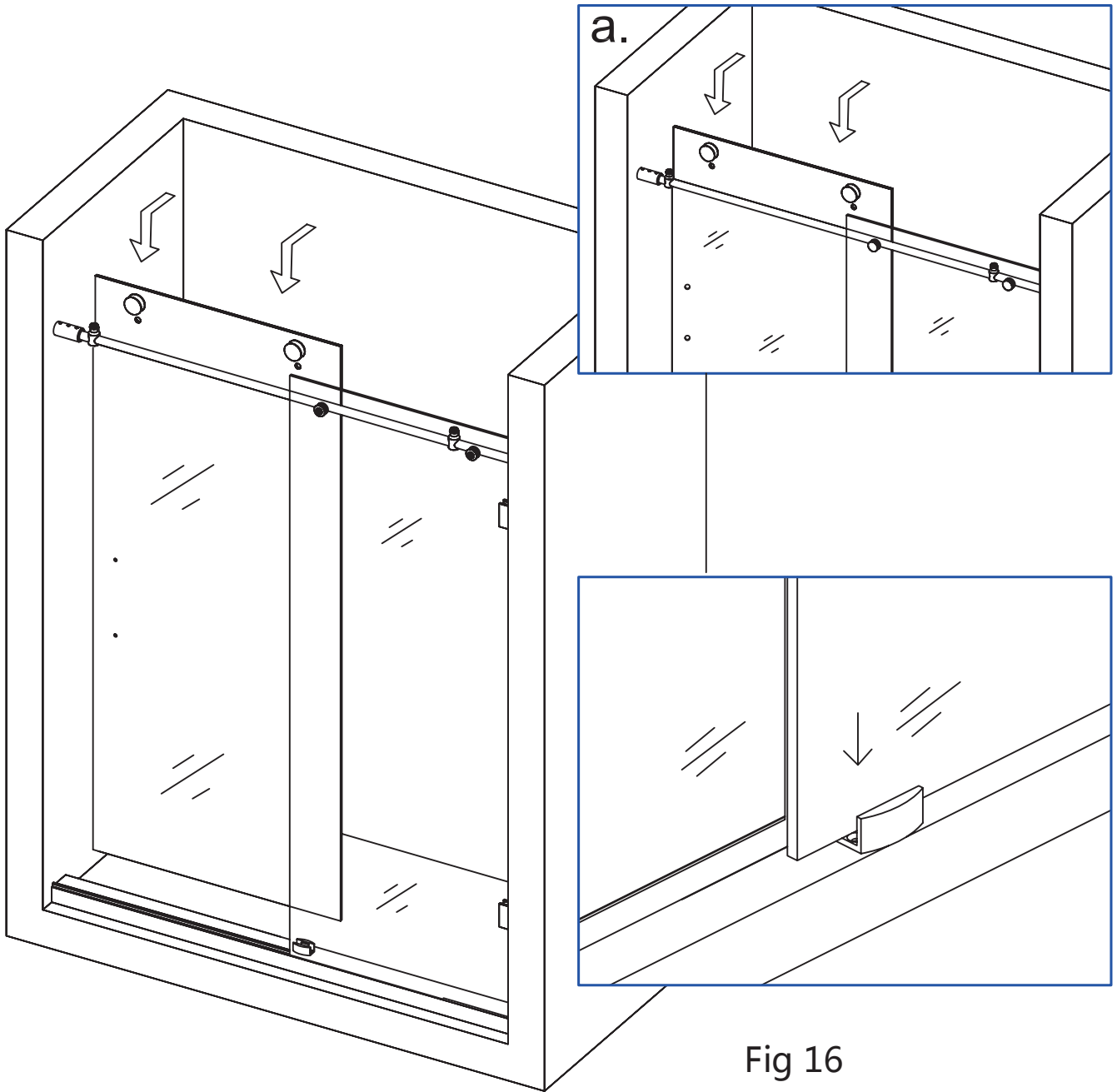


Fig 16

16. Hang the Glass Door Assembly (7) to the Upper Guide Rail (4), slide the bottom of the Glass Door (7) into the slot of the Bottom Guide (11). Be careful that the glass door should not touch the metal part of the Bottom Guide.

Please see Fig 16 for details



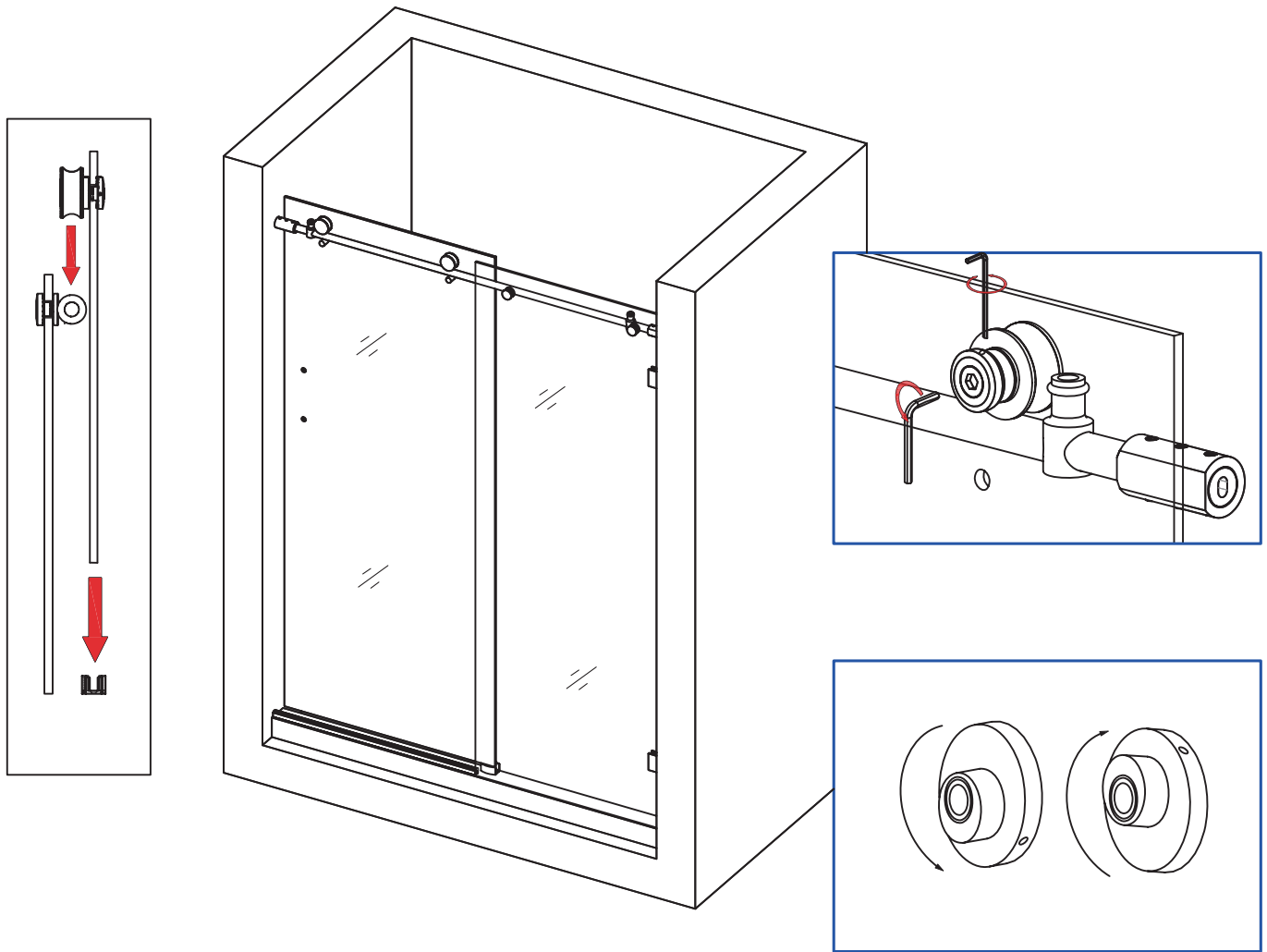
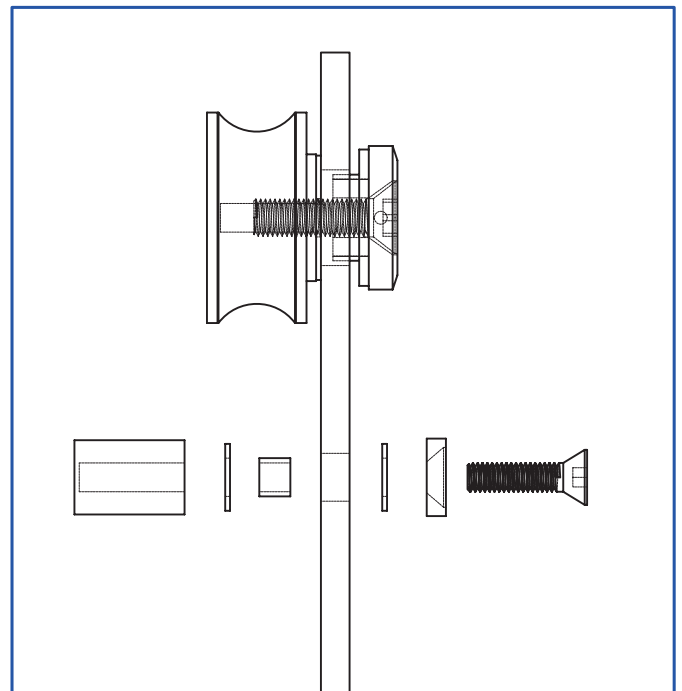
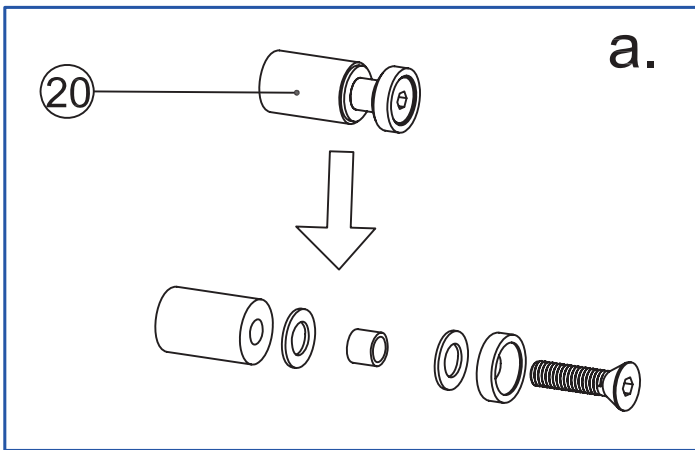


Fig 17

17. Use a 3/16" shim beneath the Glass Door when adjusting the level of the door so that the glass does not make contact with the guide block or threshold. The adjustment disks in the wheels are the same as the disks in the Glass-to-Rail Brackets and can be rotated to adjust the Glass Door (7) to create a seal with the wall. The Safety Set Screw on both Roller Assembly MUST be re-tightened after installation to prevent the wheel bolt from becoming loose. Apply Thread Lock Adhesive during installation.

Please see Fig 17 for details



18. Install the Safety Pin(17) to the Glass Door (7). Make sure that the clear gasket will be between the glass and the metal parts of the safety pin.

Please see Fig 18 for details

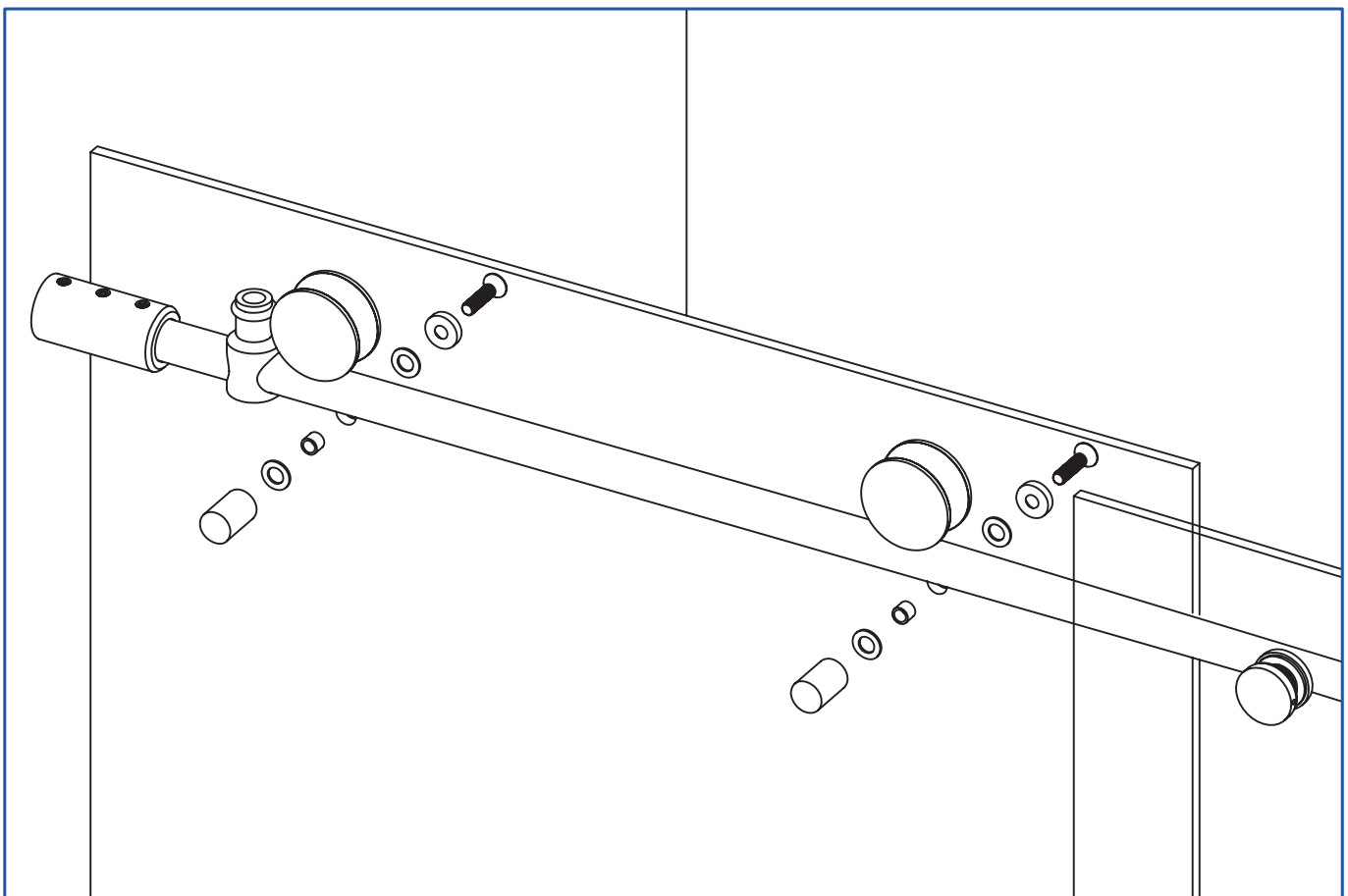


Fig 18

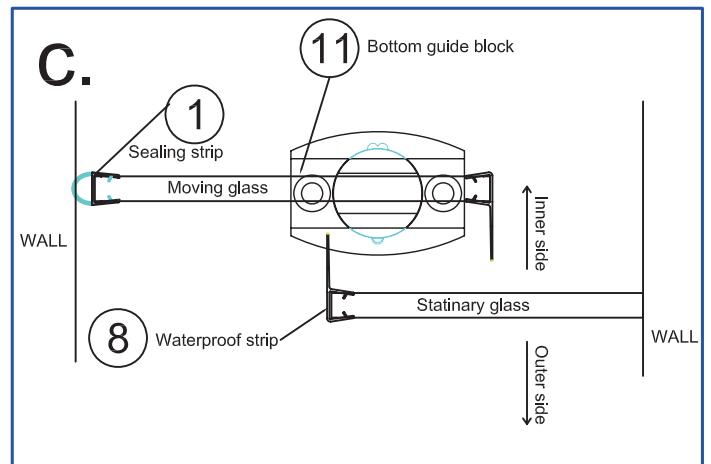
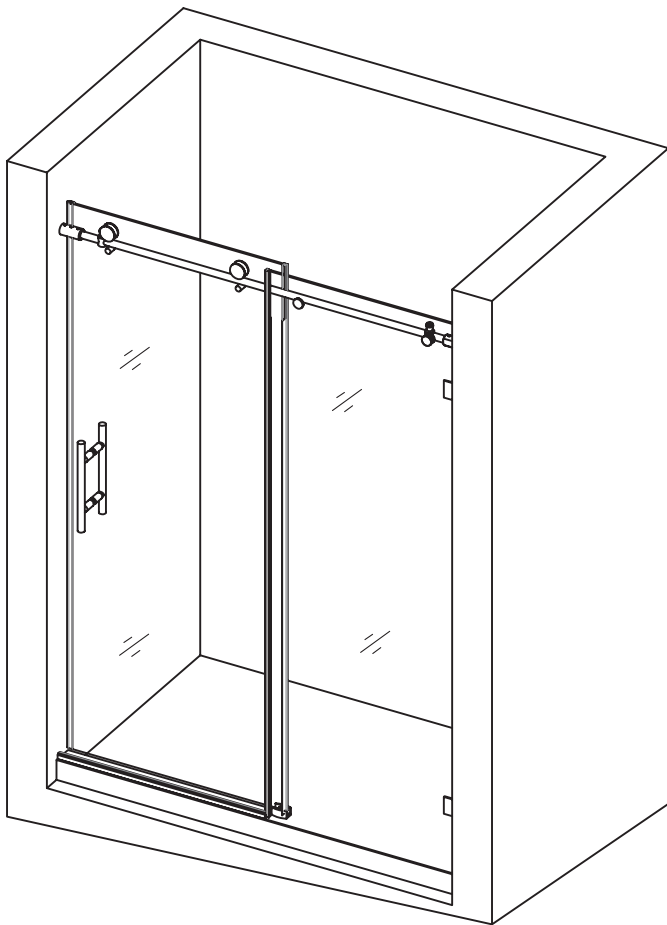
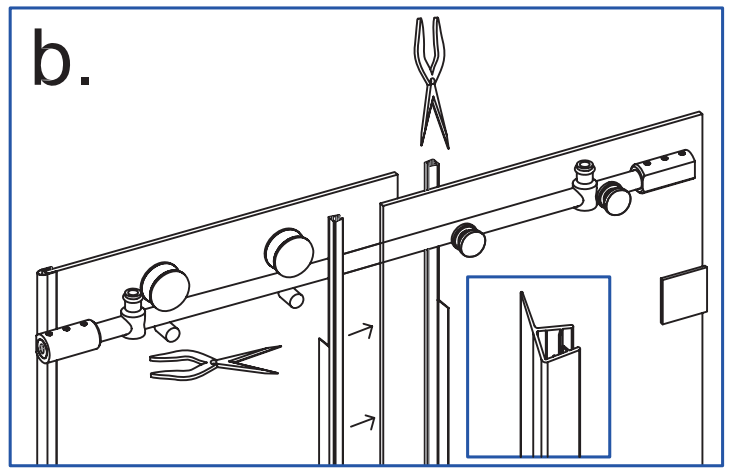
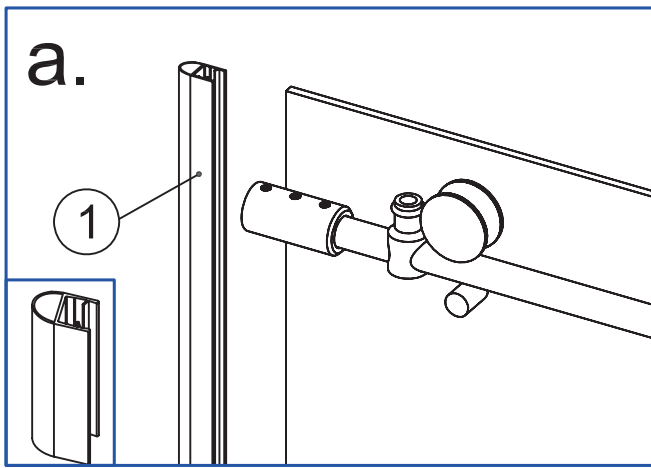
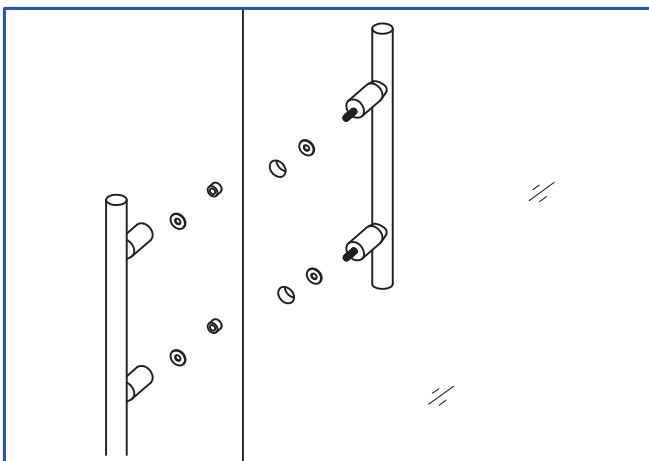


Fig 19

19. Attach the Side Anti-Water Strip (8) to the edge of the Stationary Glass (14) and the Bumper Strip to the Glass Door (7). Use a razor knife to trim the Side Anti-Water Strip (8) at the top to avoid interfering with the Upper Guide Rail (4). Install the handle (6) to the Glass Door (7), make sure that clear gasket and busher will be between the glass and the metal parts of the handle.

**Attention: Never make any metal parts contact with the glass. Metal parts contact directly to the glass may cause glass breakage during installation or in future usage.**

Please see Fig 19 for details



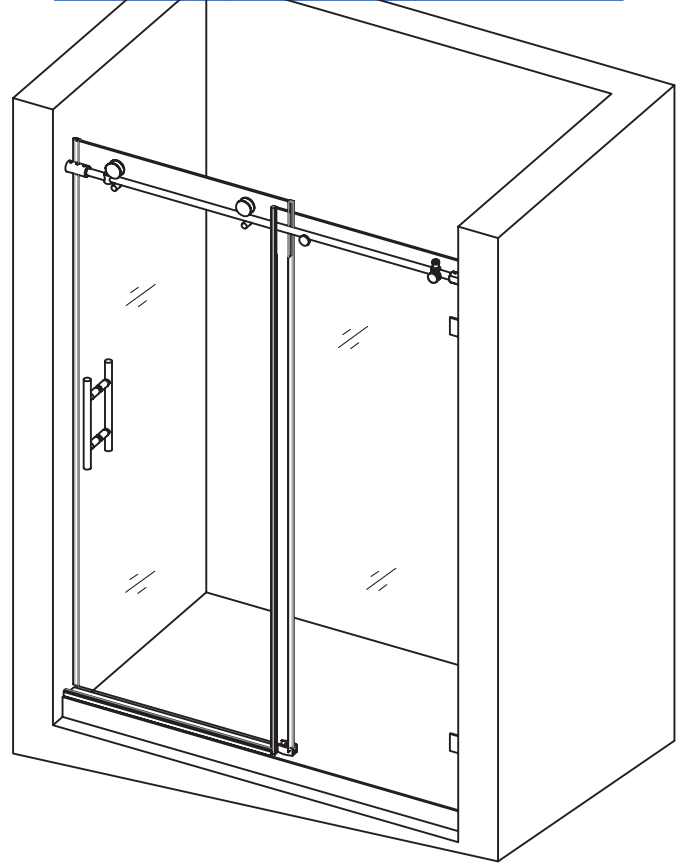
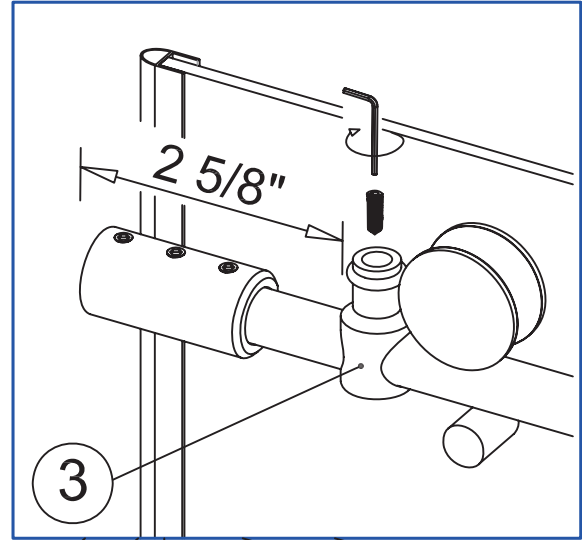
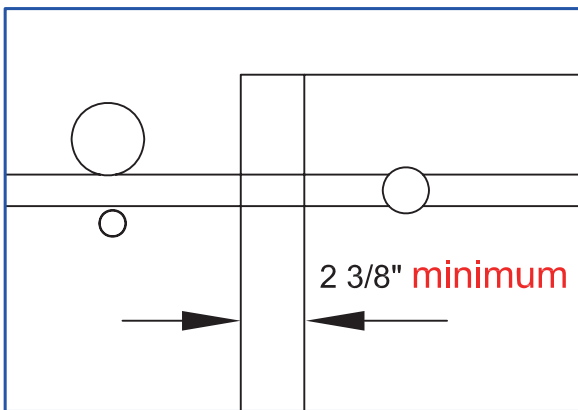
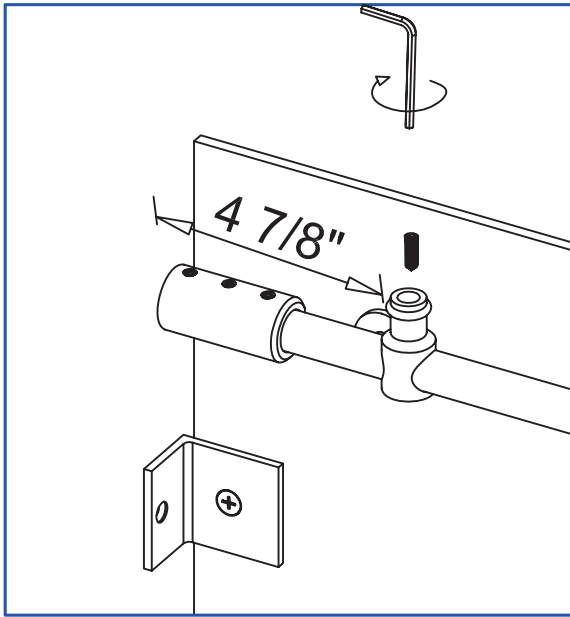
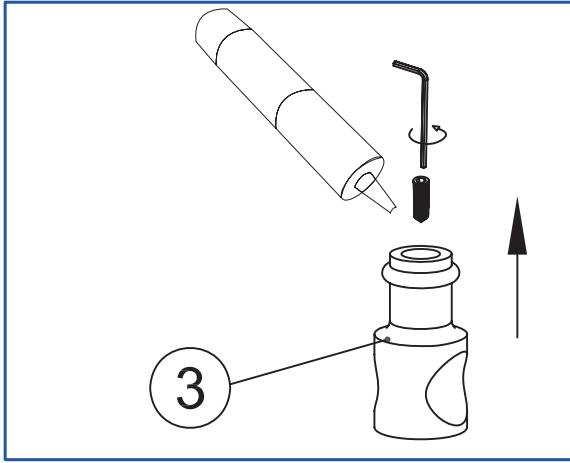


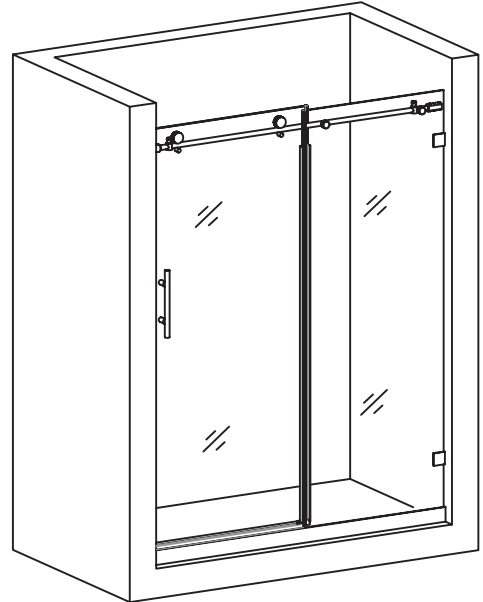
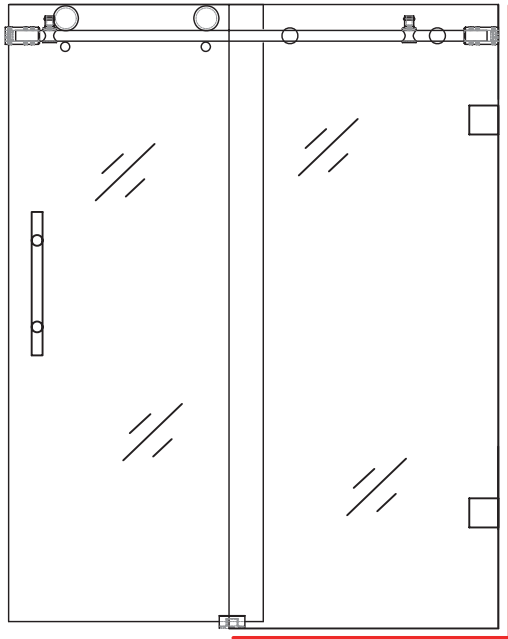
Fig 20

20. Measure the Glass Door Stopper(3) location and remove the set screw from the Stoppers, apply Thread Lock Adhesive to the set screw threads, tighten screws into the stopper hole.

Please see Fig 20 for details.

21. Apply silicone sealant on the seams between the stationary glass and the shower base/bathtub, and between the wall and the stationary glass.

See Figure 21 for details.



TUB DOORS **INSTALLATION** is the same as SHOWER DOORS

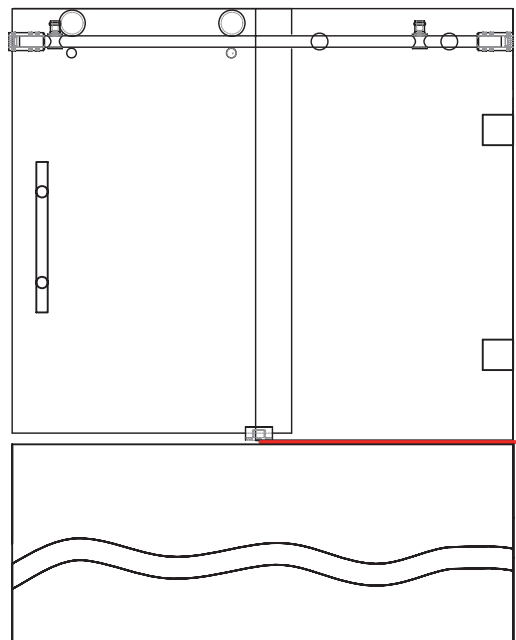
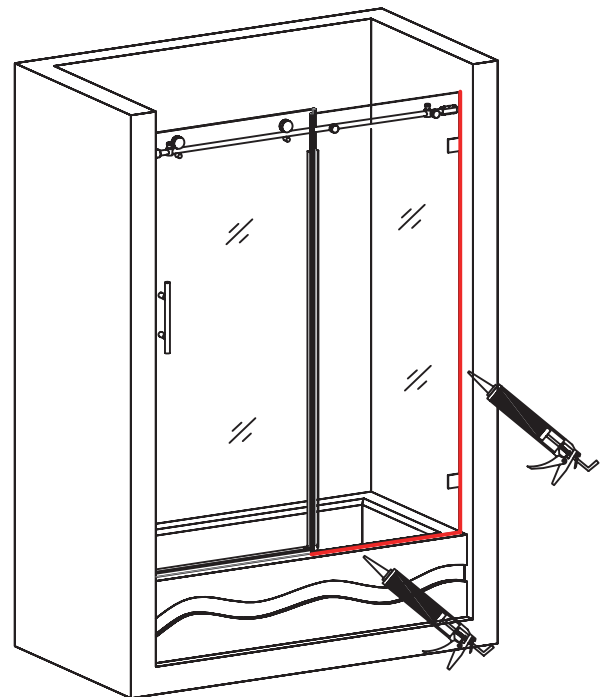


Fig 21



**IMPORTANT:**  
MUST ALLOW SILICONE TO DRY FOR 24 HOURS BEFORE STARTING USING THE SHOWER ENCLOSURE